

NOTE:
Seal all conduit with duct seal.

STREET LIGHTING CONNECTION (120 V)

DRAWN BY: LDL	SCALE:
CHECKED BY:	N.T.S.
LAST REVISED: 10/04	

SECTION:
ELECTRICAL

DRAWING NO.: **EL-2**



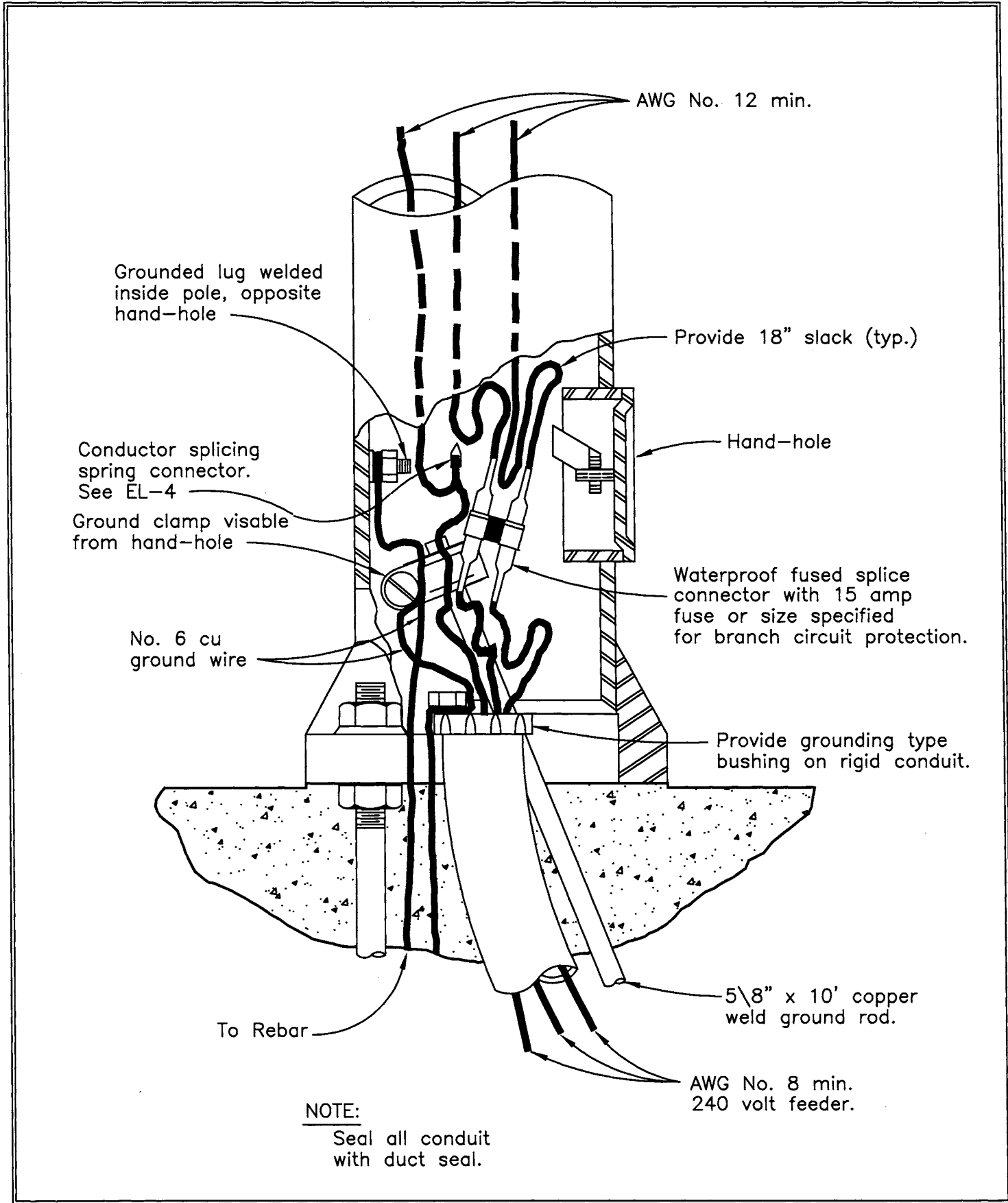
APPROVED BY:

Paul S. ...

CITY ENGINEER

AUG 12 2005

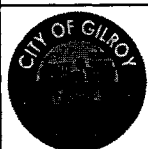
DATE

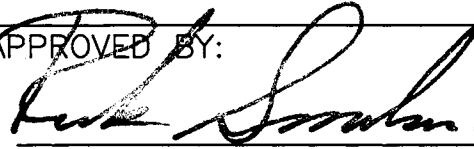


NOTE:
Seal all conduit with duct seal.

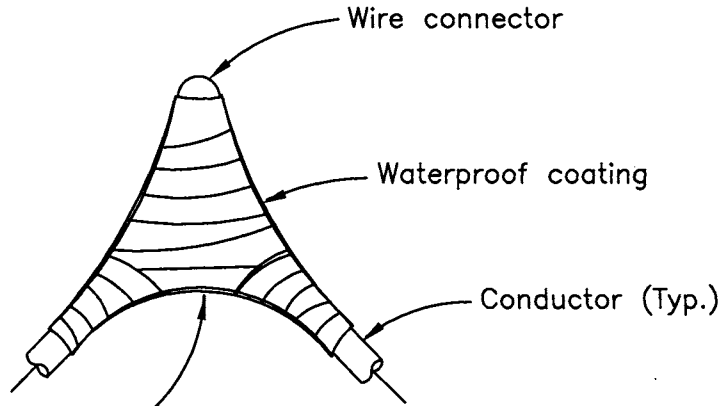
STREET LIGHTING CONNECTION (240 V)

DRAWN BY: LDL	SCALE:
CHECKED BY:	N.T.S.
LAST REVISED: 10/04	



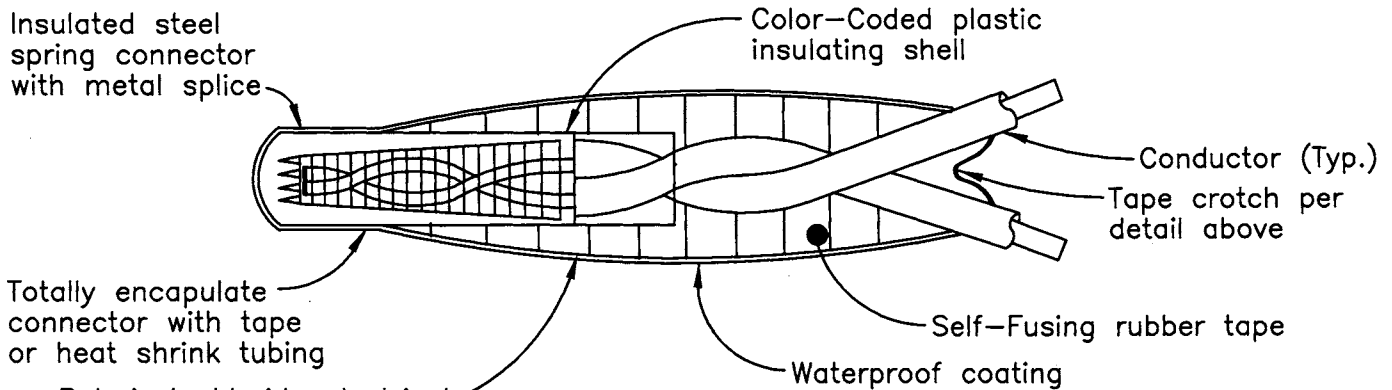
APPROVED BY:

 CITY ENGINEER AUG 12 2005 DATE

SECTION:
ELECTRICAL
 DRAWING NO.: **EL-3**



Rubber and plastic tape carefully worked in to crotch to provide watertight joint.

DETAIL: CROTCH



Totally encapsulate connector with tape or heat shrink tubing

Polyvinyl chloride electrical tape .007" thick ASTM D-3005
600V - 2 layers, 1/2 lap

DETAIL: SPLICE WITH INSULATING SPRING CONNECTOR

NOTES:

1. Paint all taped splices with electrical waterproof coating.
2. Heat shrink tubing (Rated 600V AC) may be used in lieu PVC electrical tape for insulated spring connectors.
3. Do not exceed spring connector manufacturers AWG copper wire splicing combination recommendations.

CONDUCTOR SPLICING SPRING CONNECTOR

DRAWN BY: LDL	SCALE:
CHECKED BY:	N.T.S.
LAST REVISED: 10/04	



APPROVED BY:

[Signature]

AUG 12 2005

CITY ENGINEER

DATE

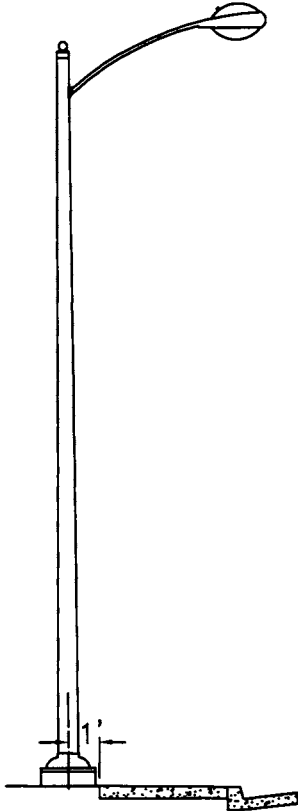
SECTION:

ELECTRICAL

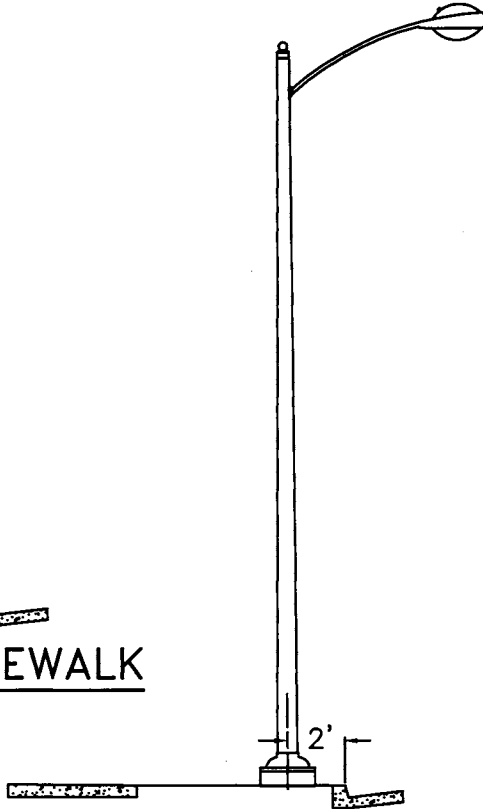
DRAWING NO.: **EL-4**

NOTES:

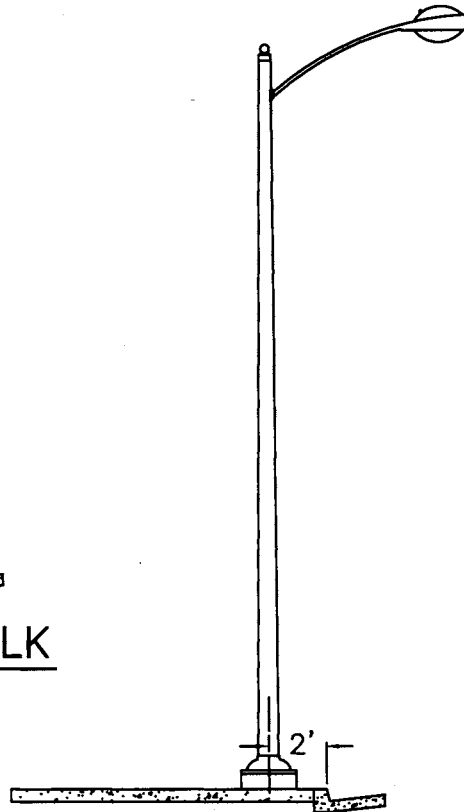
1. All Electrolier Poles are to be numbered.
(To be coordinated with the City on numbering)
2. Standard Spacing for Electroliers shall be staggered maximum 150' on center. Wider streets may require closer spacing.
3. Standard Electroliers shall be as follows:
 - 70 W High Pressure Sodium in Residential
 - 100 W High Pressure Sodium in Industrial, at all intersections, cul de sacs and dog legs.



MONOLITHIC SIDEWALK



SEPARATED SIDEWALK



COMMERCIAL SIDEWALK

TYPICAL ELECTROLIER PLACEMENT

DRAWN BY: LDL
CHECKED BY:
LAST REVISED: 10/04

SCALE:
N.T.S.



APPROVED BY:
[Signature]
CITY ENGINEER

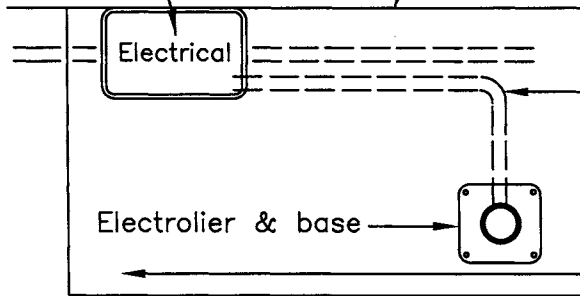
AUG 1 2 2005
DATE

SECTION:
ELECTRICAL

DRAWING NO.: **EL-5**

Inscribe cover "Electrical"
"Street Lighting" "Traffic Signal"
or as appropriate

Back of curb
or back of walk

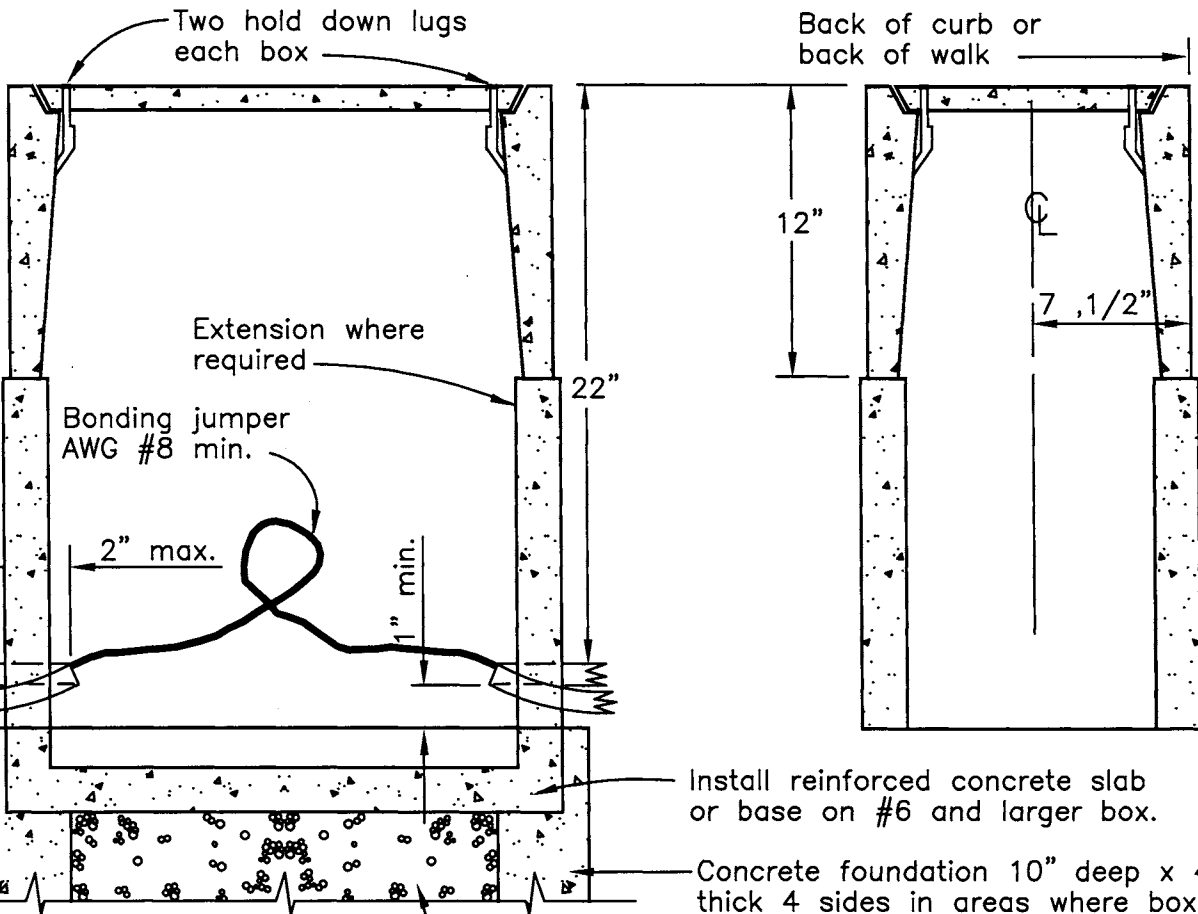


1 1/2" for street lighting, 2"
for traffic signals, or as shown
otherwise on the plans.

Extend foundation cap to
include pull box (size to
be determined in field).

Conduit shall run from box to box without unnecessary bends.
Install conduit true to grade and parallel with curb. Install pull
box with top true to grade from top of curb to sidewalk.

Conduit sloped toward opening (normal)
Conduit enters horizontal where shown on plans



Install reinforced concrete slab
or base on #6 and larger box.

Concrete foundation 10" deep x 4"
thick 4 sides in areas where box
is subject to traffic load.

NOTE:

See pull box dimension chart
EL-8 for minimum requirement
of rock for dry well.

12" thick cushion of
rock, 1" min. 2" max.

CONCRETE PULL BOX INSTALLATION



APPROVED BY:

Paul S. ...

AUG 1 2 2005

CITY ENGINEER

DATE

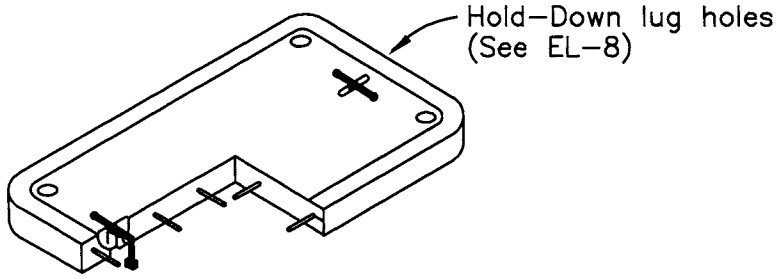
DRAWN BY: LDL
CHECKED BY:
LAST REVISED: 10/04

SCALE:
N.T.S.

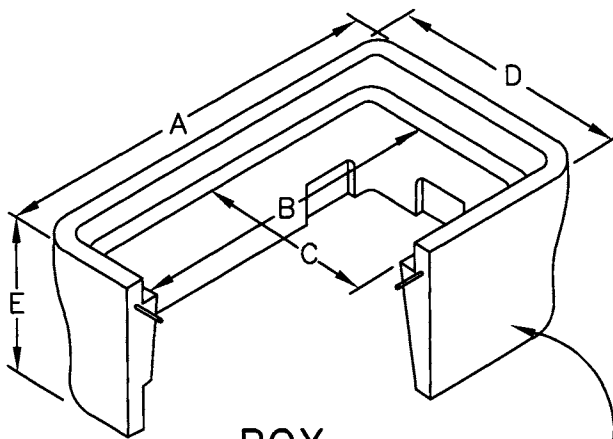
SECTION:

ELECTRICAL

DRAWING NO.: **EL-6**

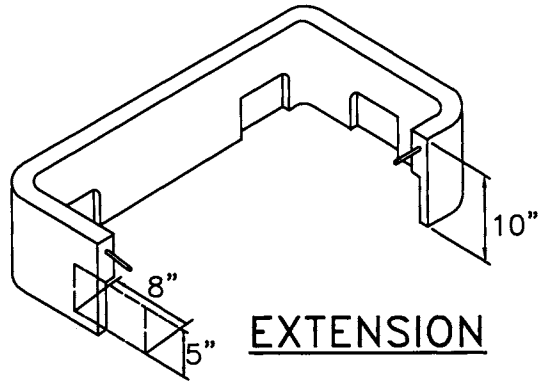


COVER

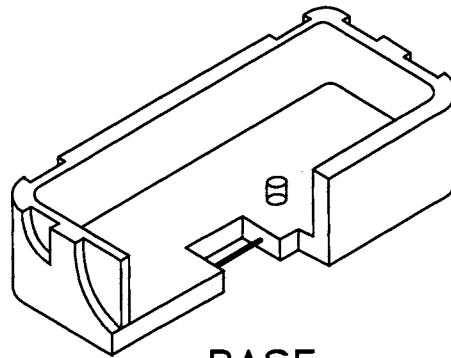


BOX

See Hold-Down lug detail sheet EL-8 for box dimensions.
(No. 7 box shown. Typical)



EXTENSION



BASE

NOTE:

Pull boxes not to be installed in areas subject to traffic unless otherwise directed by City Engineer.

CONCRETE PULL BOX DETAIL

DRAWN BY: LDL
CHECKED BY:
LAST REVISED: 10/04

SCALE:
N.T.S.

SECTION:
ELECTRICAL

DRAWING NO.: **EL-7**



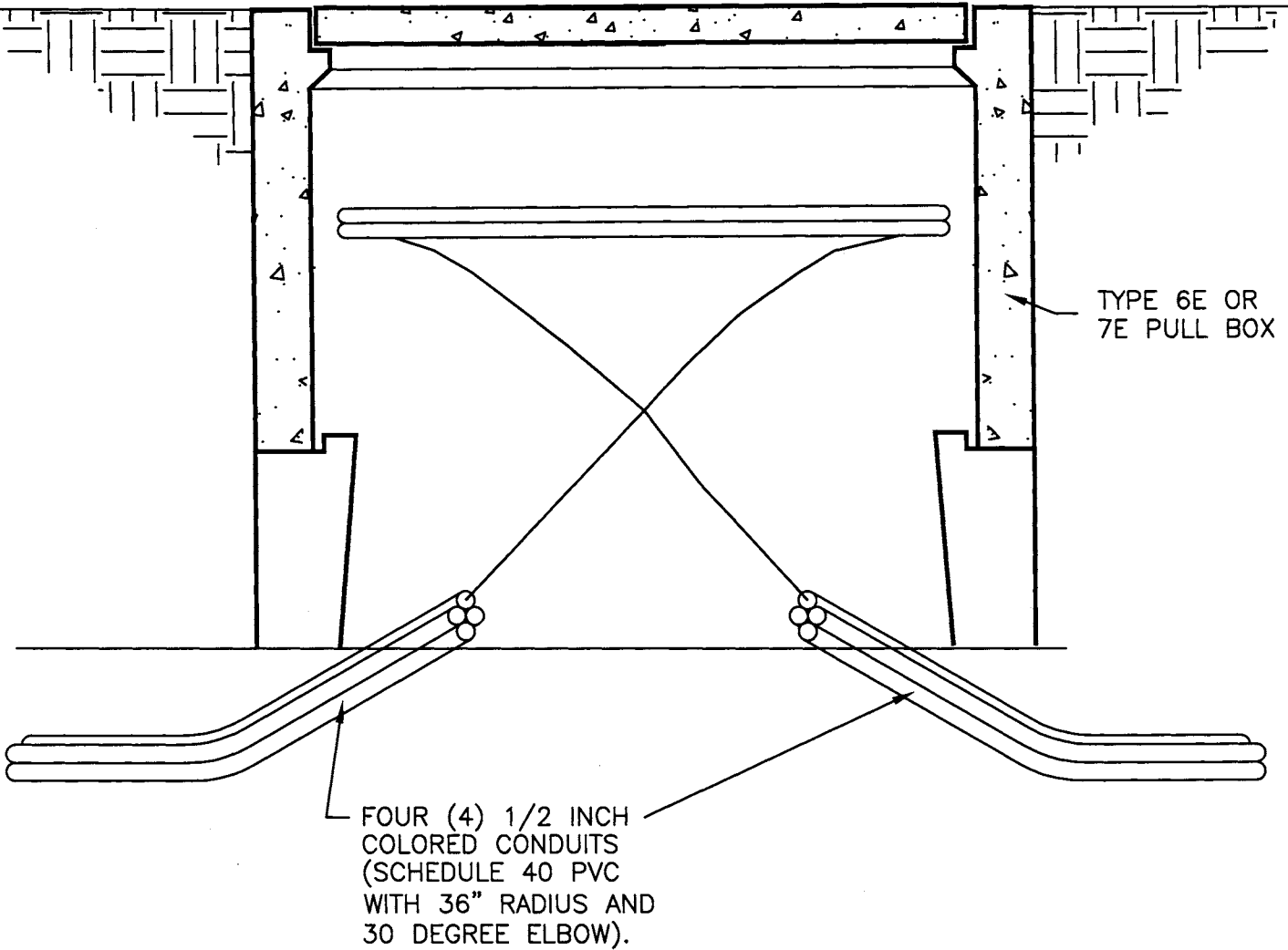
APPROVED BY:

[Signature]

CITY ENGINEER

AUG 12 2005

DATE



PULL BOX DIMENSIONS

- 1. Type 6E Pull Box - 36" x 23" x 24"
- 2. Type 7E Pull Box - 48" x 31" x 24"

* SEE DETAIL EL-7 FOR PULL BOX DETAIL

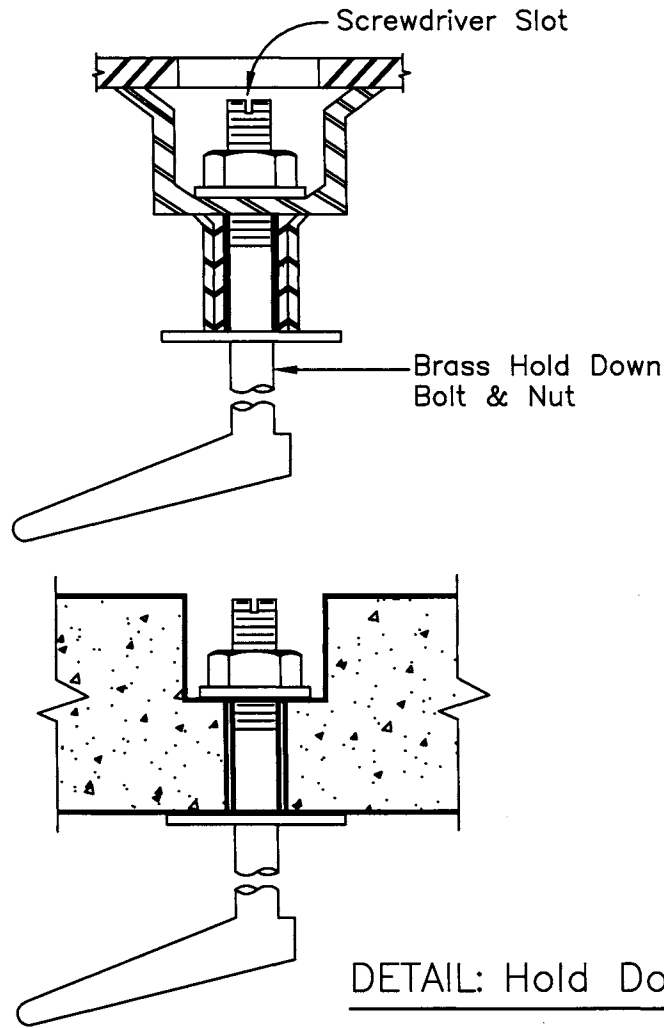
PULL BOX DETAILS-INTERCONNECT COMMUNICATION

DRAWN BY: LDL	SCALE:
CHECKED BY:	N.T.S.
LAST REVISED: 10/04	



APPROVED BY: *[Signature]*
 CITY ENGINEER DATE: AUG 12 2005

SECTION:
ELECTRICAL
 DRAWING NO.: **EL-7A**



DETAIL: Hold Down Lug

Dimension	No. 3-1\2	No. 5	No. 6	No. 7	No. 8
A	15"±	25"±	36"±	48"±	52"±
B	15"±	21"±	30"±	34"	46"±
C	9"±	11"±	12"±	22"	28"±
D	14"±	15"±	23"±	31"	34"±
E	12"±	12"±	12"±	14"	34"±
△	1.8 cu.ft.	2.6 cu.ft.	5.3 cu.ft.	7.7 cu.ft.	12.2 cu.ft.
Extension			12"	10"	

△ = Minimum cubic feet of rock for dry well:
 One foot thick by length times width of applicable box.
 Clean crushed rock size 1" min. 2" max. to be used.

CONCRETE PULL BOX DIMENSIONS

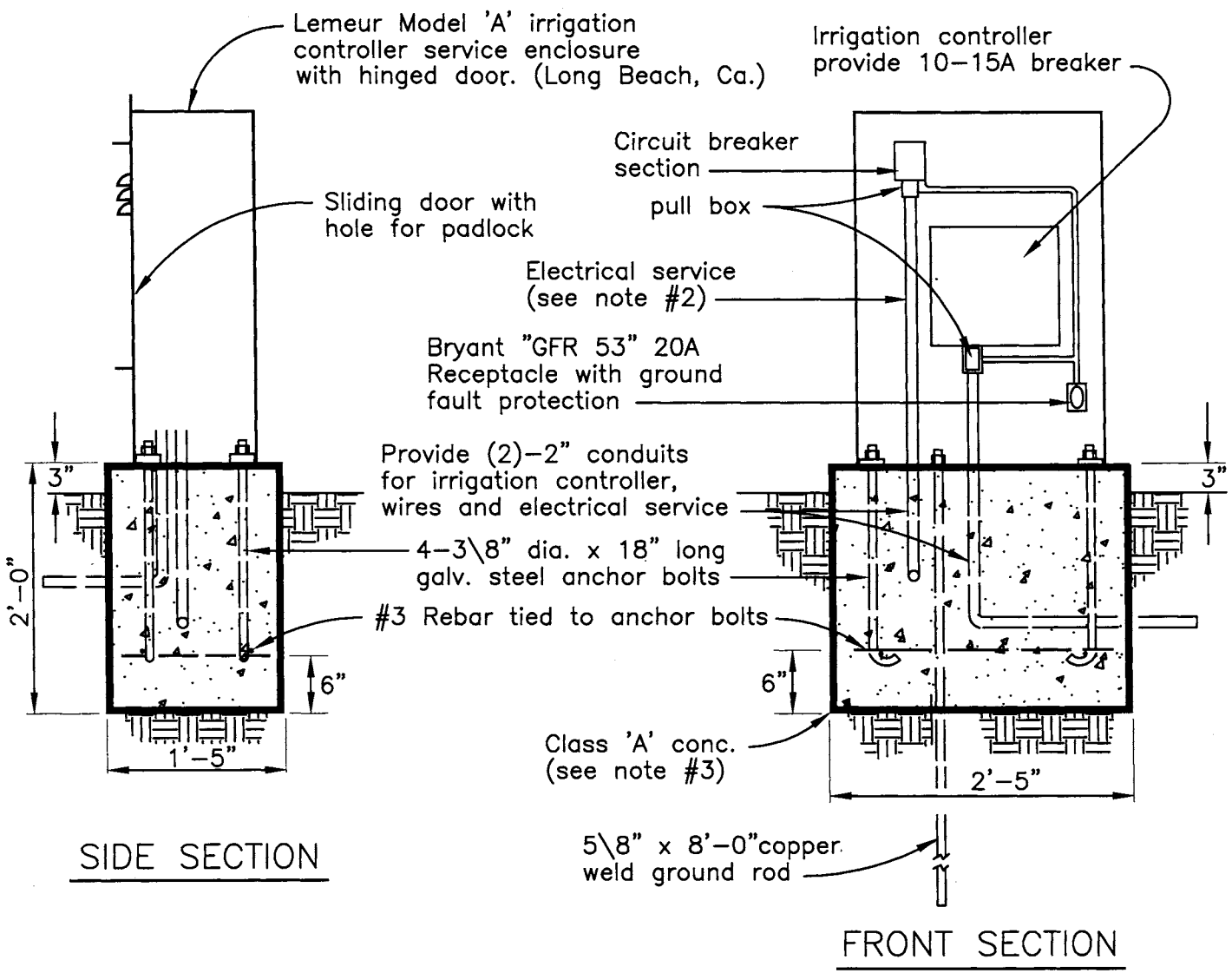
DRAWN BY: LDL	SCALE:
CHECKED BY:	N.T.S.
LAST REVISED: 10/04	

SECTION:
ELECTRICAL

DRAWING NO.: **EL-8**



APPROVED BY:
[Signature]
 CITY ENGINEER AUG 12 2005 DATE



NOTES:

1. Paint cabinet w/primer and two (2) coats enamel finish. (color-dark brown)
2. Electrical service to be taken from street light service unless otherwise instructed by city; Notify city when connection is made.
3. Class 'A' concrete to be 3000 PSI min. @ 28 days.

IRRIGATION CONTROLLER SERVICE ENCLOSURE FREE
STANDING W/O METER SERVICE

DRAWN BY: LDL	SCALE:
CHECKED BY:	N.T.S.
LAST REVISED: 10/04	



APPROVED BY: *[Signature]*
CITY ENGINEER

AUG 12 2005
DATE

SECTION:
ELECTRICAL

DRAWING NO.: **EL-9**