

**NOTE:**

1. ALL CABLES & ELECTRICAL WIRES MUST BE RUN IN CONDUIT.
2. THIS DETAIL PERTAINS TO 16" CONTROLLER MODEL ONLY. FOR ALL OTHER MODELS, REFER TO MANUFACTURERS SPECIFICATIONS.

**SA ASSEMBLY TO INCLUDE**

CONTROLLER MODEL AS SPECIFIED  
 ENCLOSURE MODEL AS SPECIFIED  
 OPTIONS AS SPECIFIED  
 TERMINAL STRIPS  
 TEMPLATE & BOLTS  
 8' COPPER GROUND ROD  
 GROUND ROD CLAMP

# CENTRAL CONTROLLER



APPROVED BY:

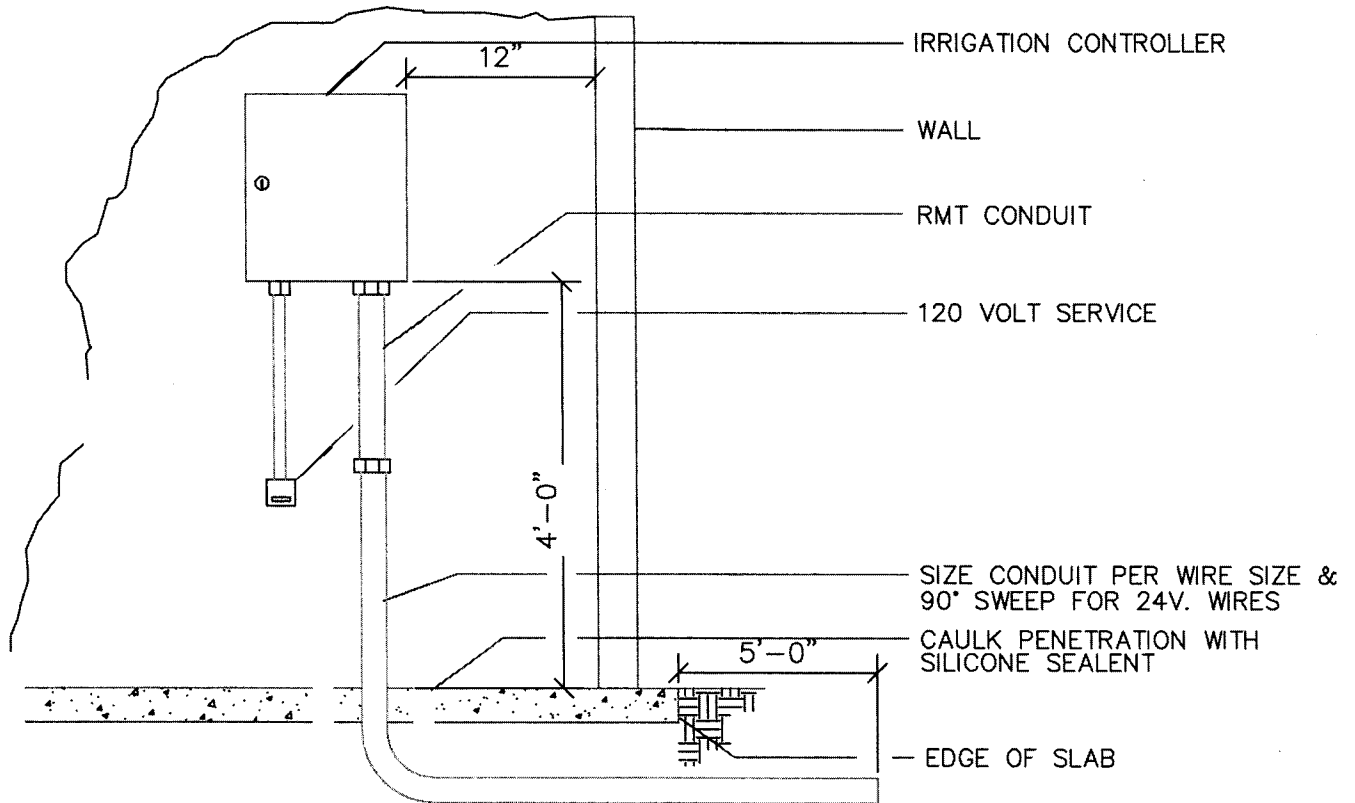
CITY ENGINEER

AUG 12 2005  
DATE

DRAWN BY: LDL	SCALE:
CHECKED BY:	N.T.S.
LAST REVISED: 10/04	

SECTION:  
**IRRIGATION**

DRAWING NO.: **IRR-1**



# WALL MOUNTED CONTROLLER

APPROVED BY:

*Paul S. ...*

AUG 12 2005

CITY ENGINEER

DATE

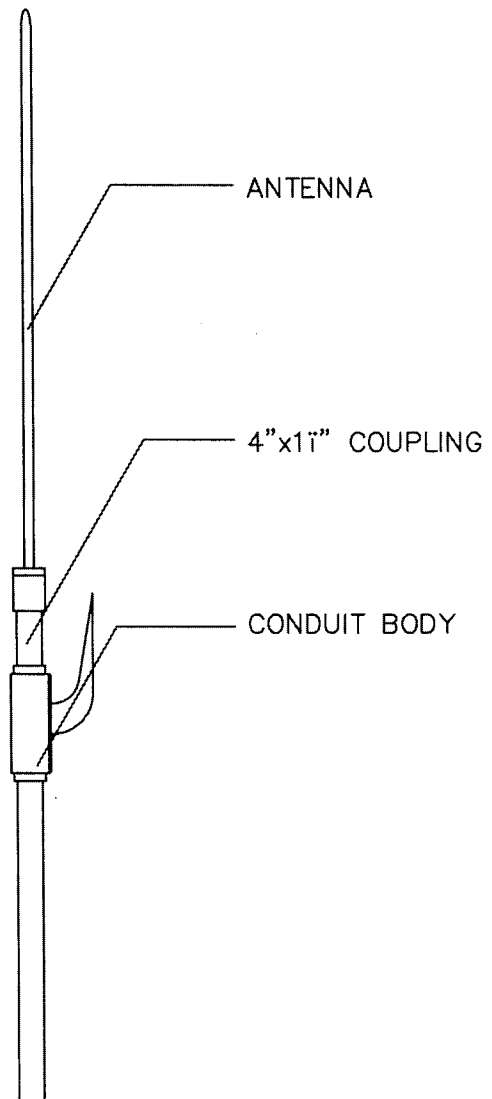
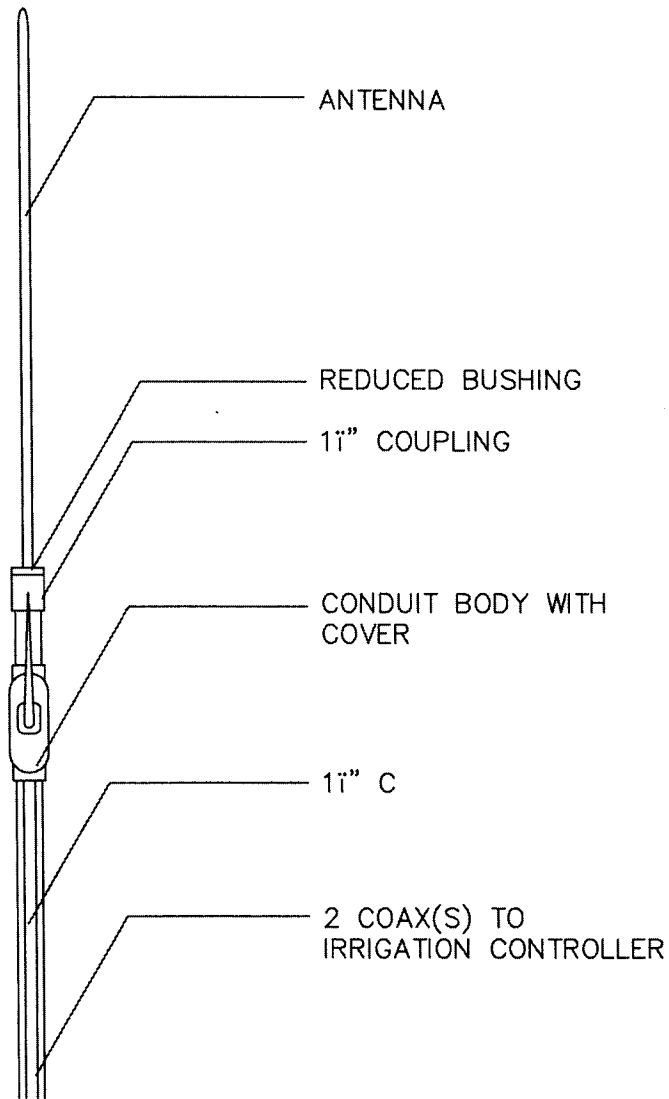
DRAWN BY: LDL  
 CHECKED BY:  
 LAST REVISED: 10/04

SCALE:  
 N.T.S.

SECTION:  
 IRRIGATION

DRAWING NO.: IRR-2





# CONTROLLER ANTENNA

DRAWN BY: LDL  
 CHECKED BY:  
 LAST REVISED: 10/04

SCALE:  
 N.T.S.



APPROVED BY:

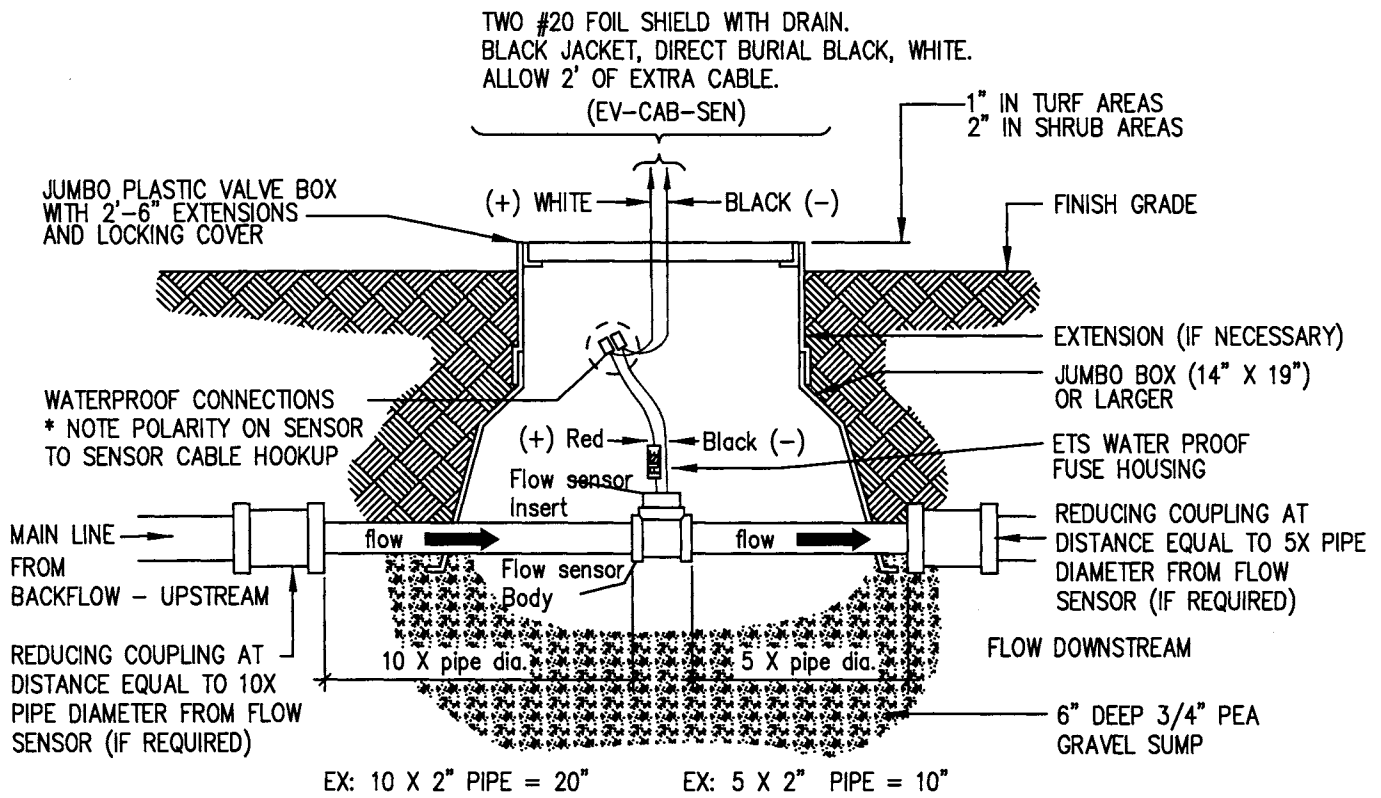
*Paul S. ...*

CITY ENGINEER

AUG 12 2005  
 DATE

SECTION:  
 IRRIGATION

DRAWING NO.: IRR-3



\* NOTE: FLOW SENSOR MUST BE INSTALLED WITH INSERT (TOP) POSITIONED VERTICALLY AND BODY (TEE) POSITIONED HORIZONTALLY.

# FLOW SENSOR

DRAWN BY: LDL	SCALE:
CHECKED BY:	N.T.S.
LAST REVISED: 10/04	



APPROVED BY:

*Paul S. ...*  
CITY ENGINEER

AUG 12 2005  
DATE

SECTION:  
**IRRIGATION**

DRAWING NO.: **IRR-4**

INSULATION  
BLANKET REFER  
TO SPECS.

REDUCED PRESSURE  
BACKFLOW ASSEMBLY

HINGE

BRONZE NIPPLES & ELLS (TYP)

DIELECTRIC UNION (TYP. OF 2)

FINISH GRADE  
1/2" BELOW  
LIP OF CONC.

CLASP AND VANDAL PROOF  
LOCK

CONC. PAD SLOPE TO DRAIN

GALV. NIPPLES & ELLS (TYP)

SCH. 40 PVC MAIN LINE WITH  
MALE ADAPTER TO RCV'S

4" CLASS II AGG. BASE  
95% RELATIVE COMPACTION

90% COMPACTED SUBGRADE

SCH. 40 GALV.  
STEEL PIPE TO WATER METER -  
WRAP PIPE WITH "SCOTCHWRAP".

**NOTE**

1. COMPLETE UNIT SHALL INCLUDE TWO NON-RISING STEM RESILIENT SEAT GATE VALVES, AND FOUR RESILIENT SEATED BALL VALVE TEST COCKS.

# BACKFLOW PREVENTOR W/ CAGE

DRAWN BY: LDL  
CHECKED BY:  
LAST REVISED: 10/04

SCALE:  
N.T.S.

SECTION:  
**IRRIGATION**

DRAWING NO.: **IRR-5**

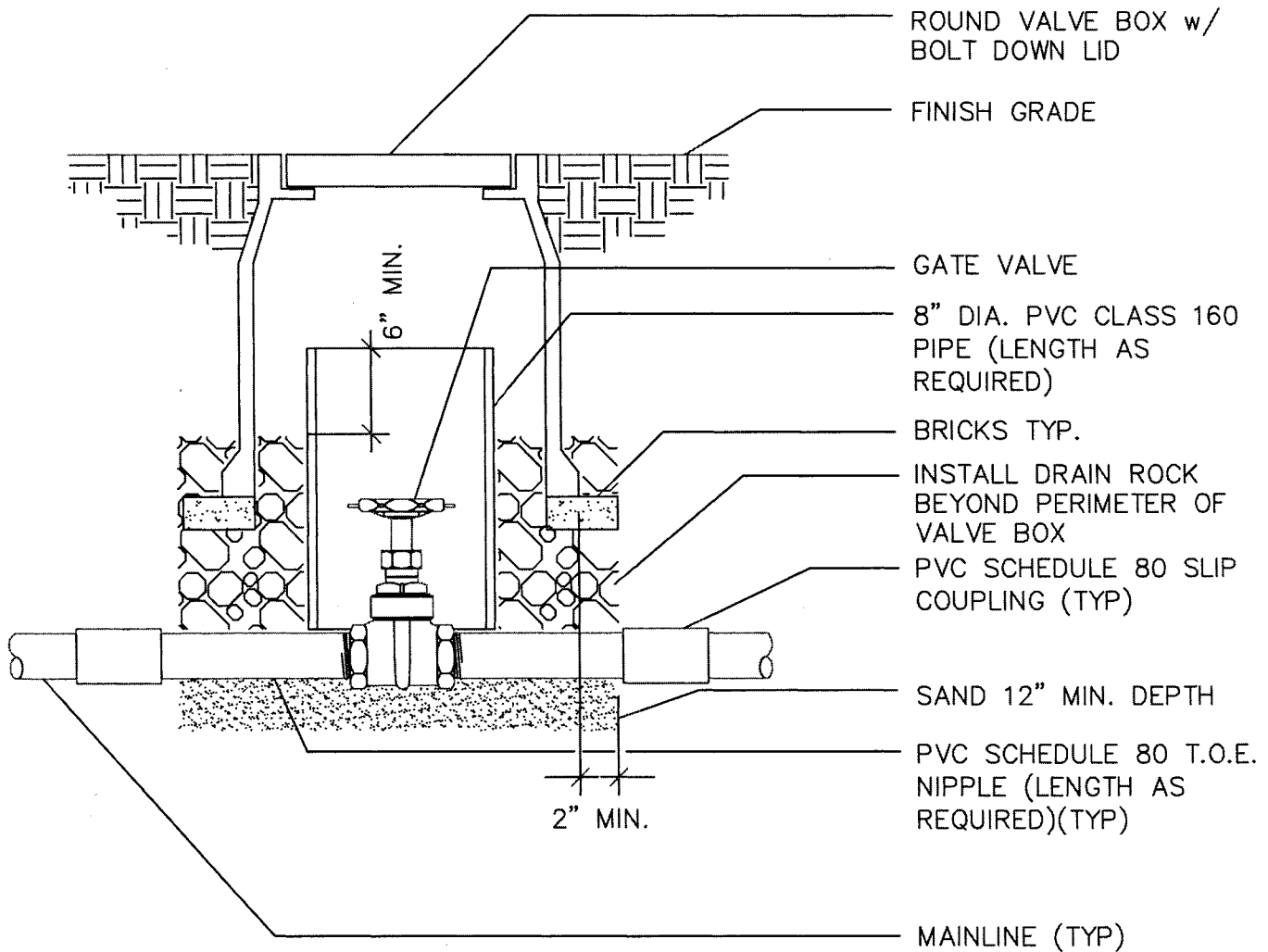


APPROVED BY:

AUG 12 2005

CITY ENGINEER

DATE



ROUND VALVE BOX w/  
BOLT DOWN LID

FINISH GRADE

GATE VALVE

8" DIA. PVC CLASS 160  
PIPE (LENGTH AS  
REQUIRED)

BRICKS TYP.

INSTALL DRAIN ROCK  
BEYOND PERIMETER OF  
VALVE BOX

PVC SCHEDULE 80 SLIP  
COUPLING (TYP)

SAND 12" MIN. DEPTH

PVC SCHEDULE 80 T.O.E.  
NIPPLE (LENGTH AS  
REQUIRED)(TYP)

MAINLINE (TYP)

# GATE VALVE

DRAWN BY: LDL  
CHECKED BY:  
LAST REVISED: 10/04

SCALE:  
N.T.S.

SECTION:  
**IRRIGATION**

DRAWING NO.: **IRR-6**



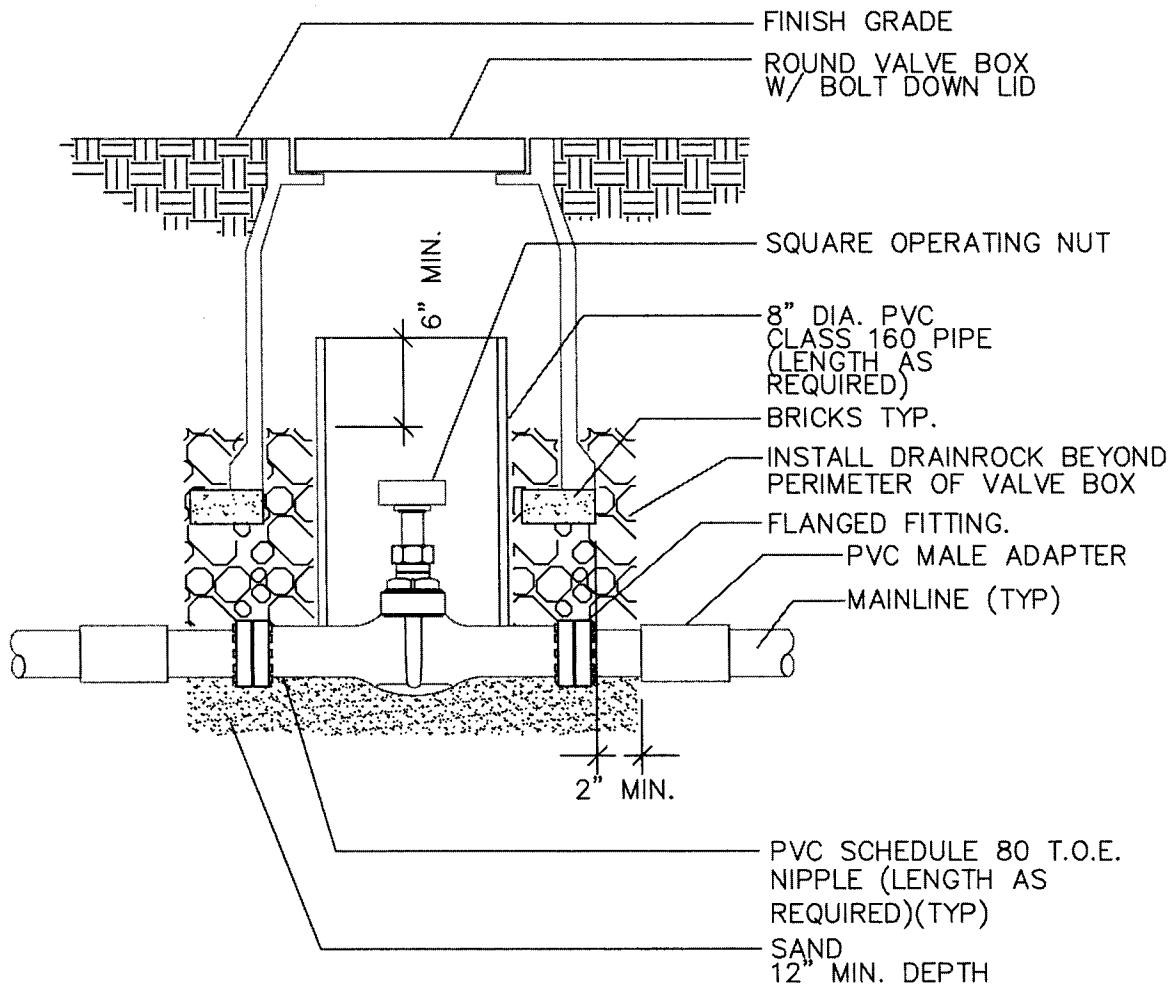
APPROVED BY:

*Paul S. ...*

CITY ENGINEER

AUG 12 2005

DATE



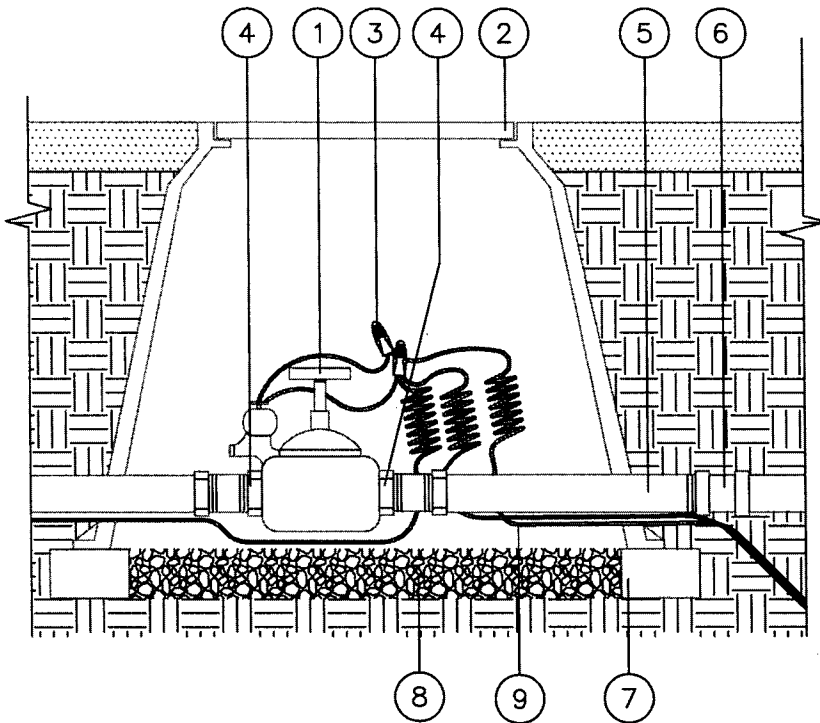
# GATE VALVE - 2 1/2" OR LARGER

DRAWN BY: LDL	SCALE:
CHECKED BY:	N.T.S.
LAST REVISED: 10/04	



APPROVED BY: *[Signature]*  
 CITY ENGINEER  
 AUG 12 2005  
 DATE

SECTION:  
**IRRIGATION**  
 DRAWING NO.: **IRR-7**



- ① MASTER CONTROL VALVE
- ② PLASTIC VALVE BOX WITH BOLT-DOWN LID
- ③ WIRE SPLICE CONNECTOR
- ④ SCH. 80 PVC UNION
- ⑤ SCH. 40 NIPPLE
- ⑥ SCH. 40 FITTING
- ⑦ BRICK SUPPORTS (4 TOTAL)
- ⑧ 2" DEEP SAND
- ⑨ LOW VOLTAGE WIRES

NOTES: PROVIDE A THREE FOOT EXPANSION COIL AT EACH WIRE CONNECTION IN VALVE BOX. TAPE & BUNDLE LOW VOLTAGE WIRES, LOOP & COIL SPARE WIRE BUNDLES.

PILOT WIRE SHALL BE YELLOW

FLOW METER SHALL BE LOCATED DOWNSTREAM OF MASTER VALVE

# MASTER VALVE

DRAWN BY: LDL	SCALE:
CHECKED BY:	N.T.S.
LAST REVISED: 10/04	

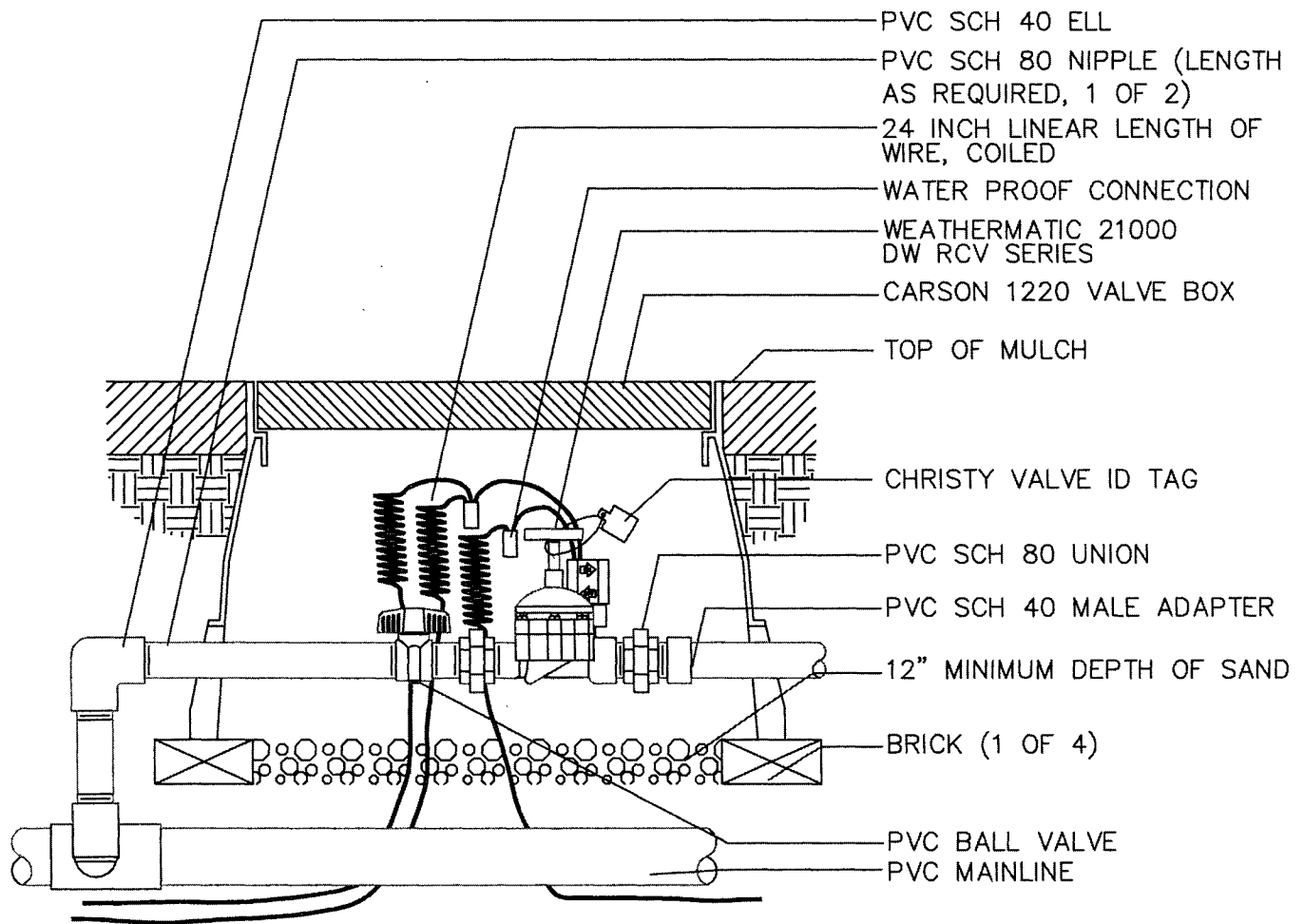


APPROVED BY: *[Signature]*  
CITY ENGINEER

AUG 12 2005  
DATE

SECTION:  
**IRRIGATION**

DRAWING NO.: **IRR-8**



- PVC SCH 40 ELL
- PVC SCH 80 NIPPLE (LENGTH AS REQUIRED, 1 OF 2)
- 24 INCH LINEAR LENGTH OF WIRE, COILED
- WATER PROOF CONNECTION
- WEATHERMATIC 21000 DW RCV SERIES
- CARSON 1220 VALVE BOX
- TOP OF MULCH
- CHRISTY VALVE ID TAG
- PVC SCH 80 UNION
- PVC SCH 40 MALE ADAPTER
- 12" MINIMUM DEPTH OF SAND
- BRICK (1 OF 4)
- PVC BALL VALVE
- PVC MAINLINE

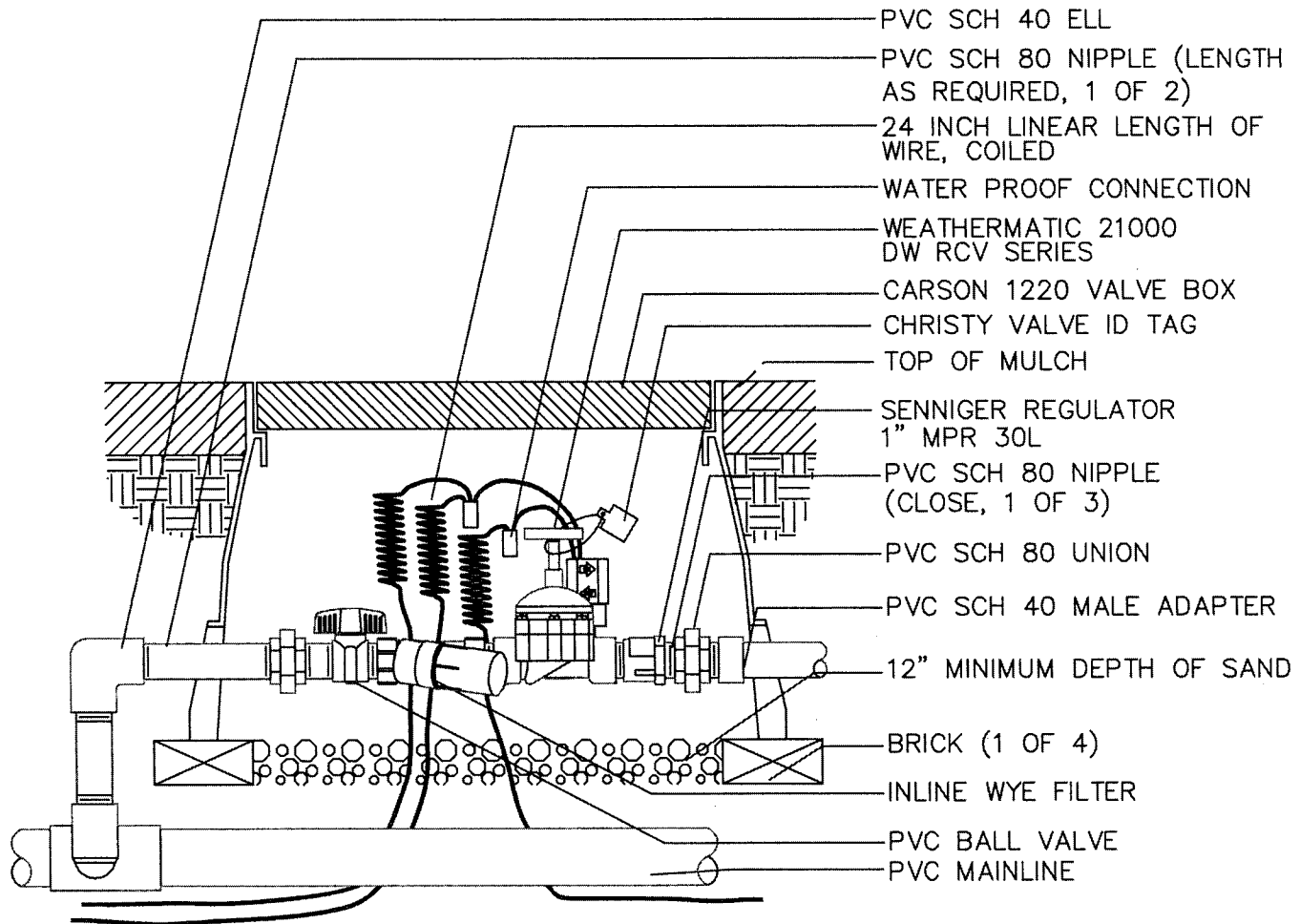
# REMOTE CONTROL VALVE

DRAWN BY: LDL	SCALE:
CHECKED BY:	N.T.S.
LAST REVISED: 10/04	



APPROVED BY: *Paul S. ...* AUG 12 2005  
 CITY ENGINEER DATE

SECTION: IRRIGATION  
 DRAWING NO.: IRR-9



- PVC SCH 40 ELL
- PVC SCH 80 NIPPLE (LENGTH AS REQUIRED, 1 OF 2)
- 24 INCH LINEAR LENGTH OF WIRE, COILED
- WATER PROOF CONNECTION
- WEATHERMATIC 21000 DW RCV SERIES
- CARSON 1220 VALVE BOX
- CHRISTY VALVE ID TAG
- TOP OF MULCH
- SENNIGER REGULATOR 1" MPR 30L
- PVC SCH 80 NIPPLE (CLOSE, 1 OF 3)
- PVC SCH 80 UNION
- PVC SCH 40 MALE ADAPTER
- 12" MINIMUM DEPTH OF SAND
- BRICK (1 OF 4)
- INLINE WYE FILTER
- PVC BALL VALVE
- PVC MAINLINE

# REMOTE CONTROL VALVE W/ FILTER



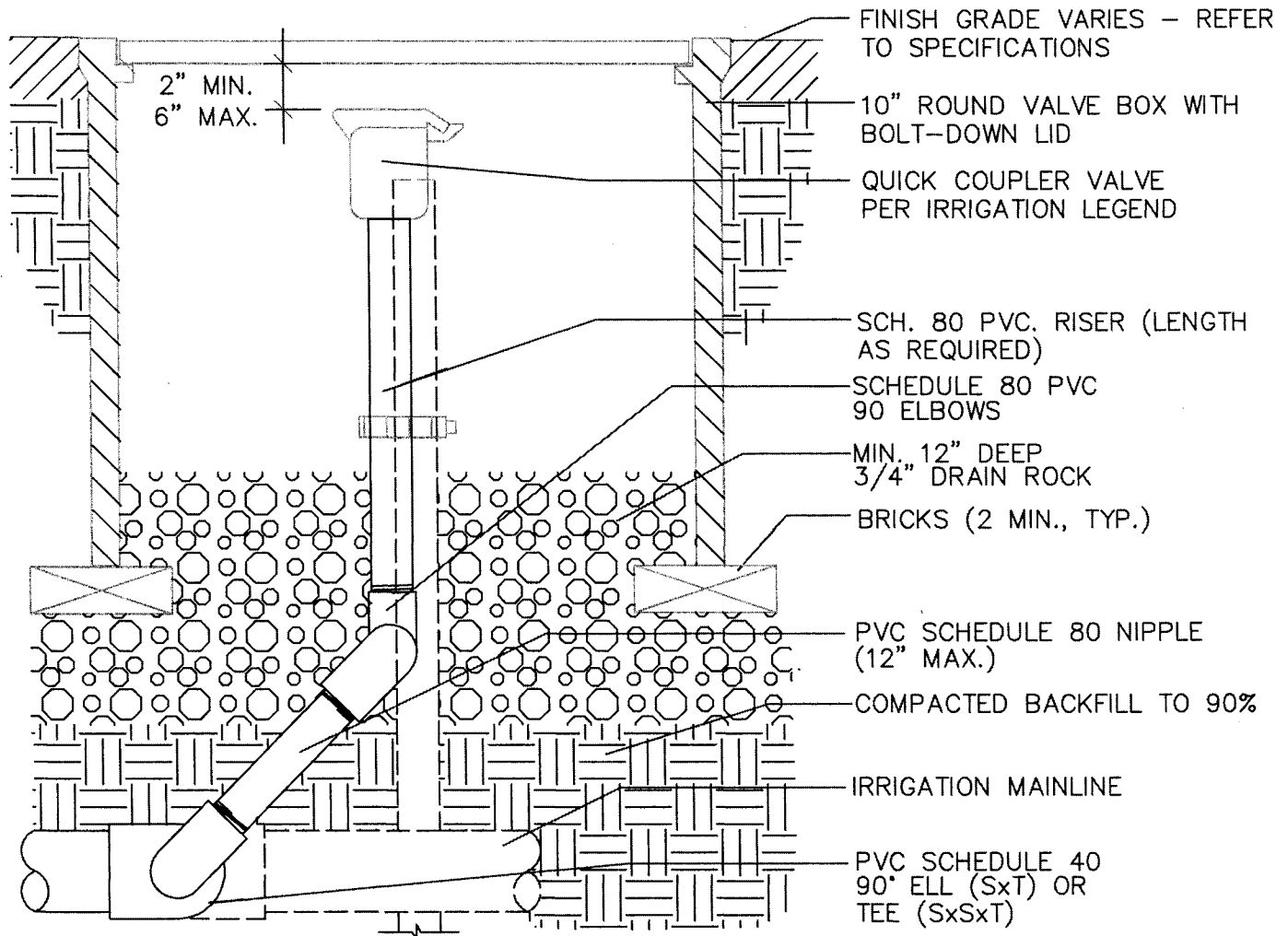
APPROVED BY:  
*Paul Soudan*  
 CITY ENGINEER

AUG 12 2005  
 DATE

DRAWN BY: LDL	SCALE:
CHECKED BY:	N.T.S.
LAST REVISED: 10/04	

SECTION:  
**IRRIGATION**

DRAWING NO.: **IRR-10**



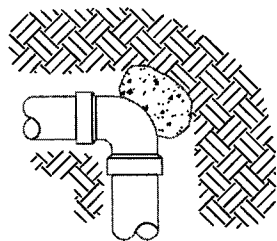
# QUICK COUPLER VALVE

DRAWN BY: LDL	SCALE:
CHECKED BY:	N.T.S.
LAST REVISED: 10/04	

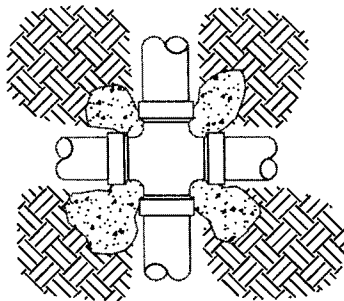


APPROVED BY: *[Signature]*  
 CITY ENGINEER  
 AUG 12 2005  
 DATE

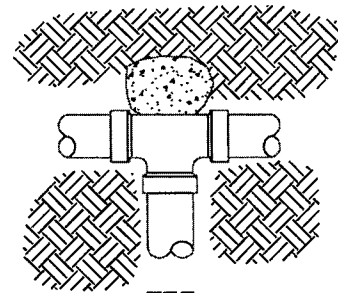
SECTION:  
**IRRIGATION**  
 DRAWING NO.: **IRR-11**



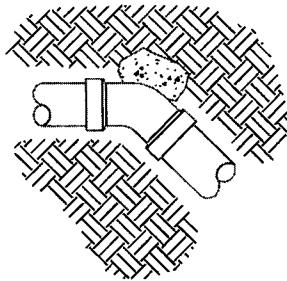
90° ELLBOW



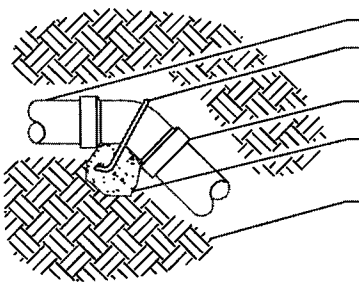
CROSS



TEE

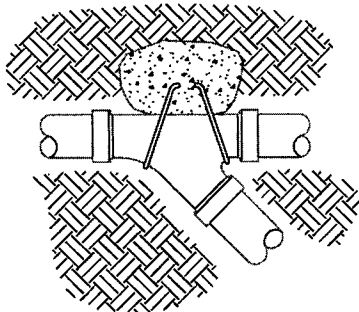


45° ELLBOW



45° ELLBOW

- PIPE (TYPICAL)
- REBAR BENT AROUND
- FITTING (TYPICAL)
- FITTING (TYPICAL)
- CONCRETE THRUST BLOCK (TYPICAL)
- UNDISTURBED SOIL (TYPICAL)



WYE

NOTES:

1. SUPPLY LINES 3 INCHES IN DIAMETER AND LARGER SHALL RECEIVE CONCRETE THRUST BLOCKS.
2. SEE SPECIFICATIONS FOR AMOUNT OF CONCRETE TO BE USED FOR THRUST BLOCK.
3. CONCRETE SHALL NOT COVER FITTING JOINTS.
4. ALL OTHER THRUST BLOCKS SHALL CONFORM TO WA-3 (THRUST BLOCKS).

# IRRIGATION THRUST BLOCKS



APPROVED BY:

CITY ENGINEER

AUG 12 2005

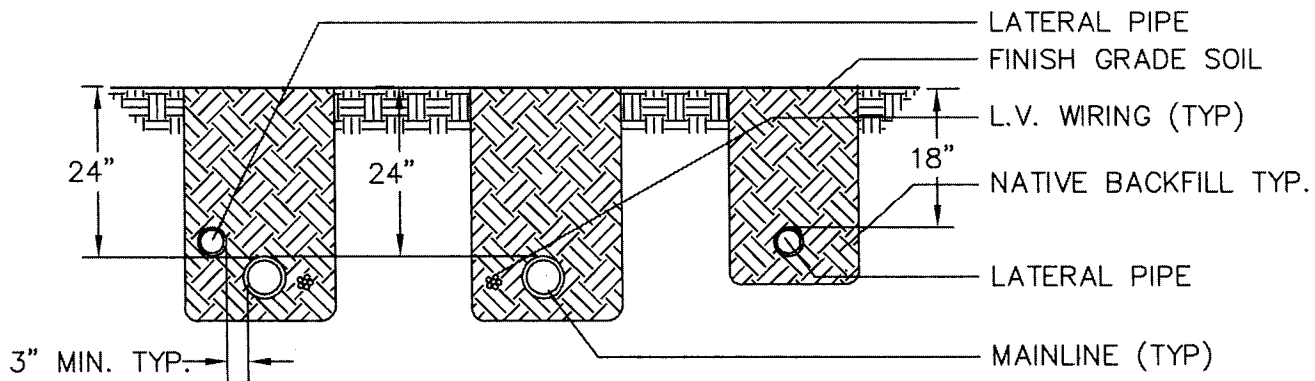
DATE

DRAWN BY: LDL  
CHECKED BY:  
LAST REVISED: 10/04

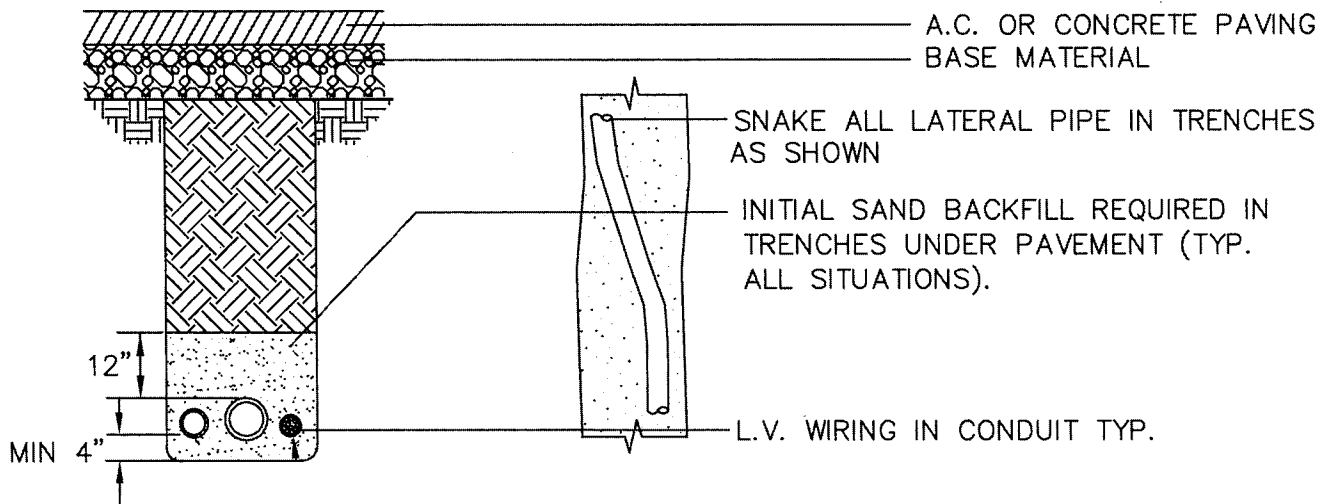
SCALE:  
N.T.S.

SECTION:  
IRRIGATION

DRAWING NO.: IRR-12



TRENCHING UNDER PLANTING AREAS



TRENCHING UNDER PAVEMENT

(Refer to the General Undergrounding Section for Trench Construction in a Pavement Area)

**TRENCHING**



APPROVED BY:

*[Signature]*

CITY ENGINEER

AUG 12 2005

DATE

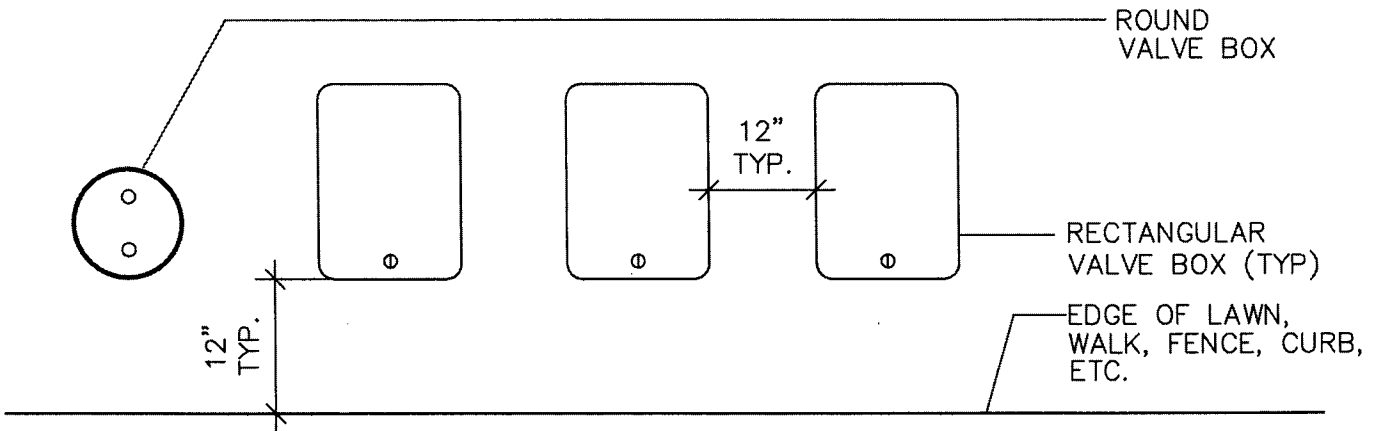
DRAWN BY: LDL  
 CHECKED BY:  
 LAST REVISED: 10/04

SCALE:  
 N.T.S.

SECTION:  
**IRRIGATION**

DRAWING NO.: **IRR-13**

← PLANTING AREA →



PLAN

- NOTES: 1. CENTER BOXES OVER VALVES.  
2. SET BOXES PARALLEL TO EACH OTHER AND PERPENDICULAR TO EDGE.  
3. AVOID HEAVILY COMPACTING SOIL AROUND BOXES TO PREVENT DAMAGING VALVE BOXES.

# VALVE BOX LAYOUT



APPROVED BY:

*[Signature]*  
CITY ENGINEER

AUG 12 2005

DATE

DRAWN BY: LDL  
CHECKED BY:  
LAST REVISED: 10/04

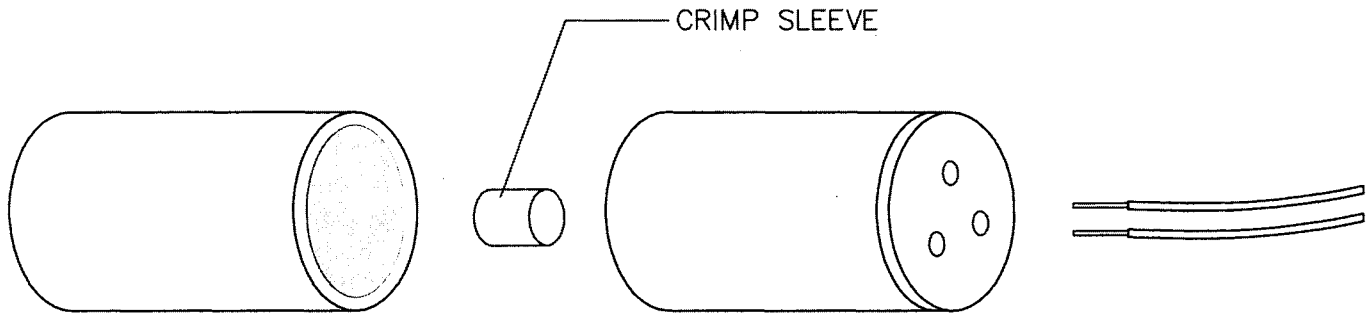
SCALE:  
N.T.S.

SECTION:  
IRRIGATION

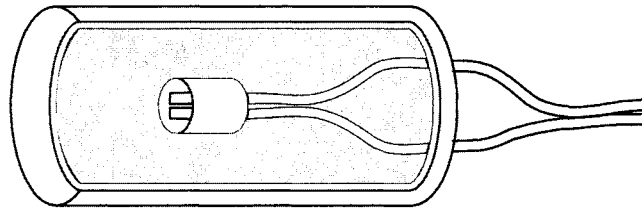
DRAWING NO.: IRR-14



STRIP WIRES APPROXIMATELY 5/8" FROM END



INSERT WIRES THROUGH HOLES IN BASE OF BODY



TWIST STRIPPED WIRES TOGETHER AND APPLY CRIMP. SLEEVE WITH AN INDENT TYPE CRIMPING TOOL. PUSH WIRES BACK INTO BODY. INVERT BODY AND INSERT PLUG INTO BODY UNTIL IT SNAPS TIGHT.

NOTES:

1. ONE CONNECTOR HANDLES #10 -AWG, #12 -AWG, AND #14 -AWG WIRE.
2. WIRE CONNECTOR WILL ACCEPT THREE WIRE OR TWO WIRE CONNECTIONS.

# WIRE CONNECTOR



APPROVED BY:

*Paul Sanchez*

CITY ENGINEER

AUG 12 2005

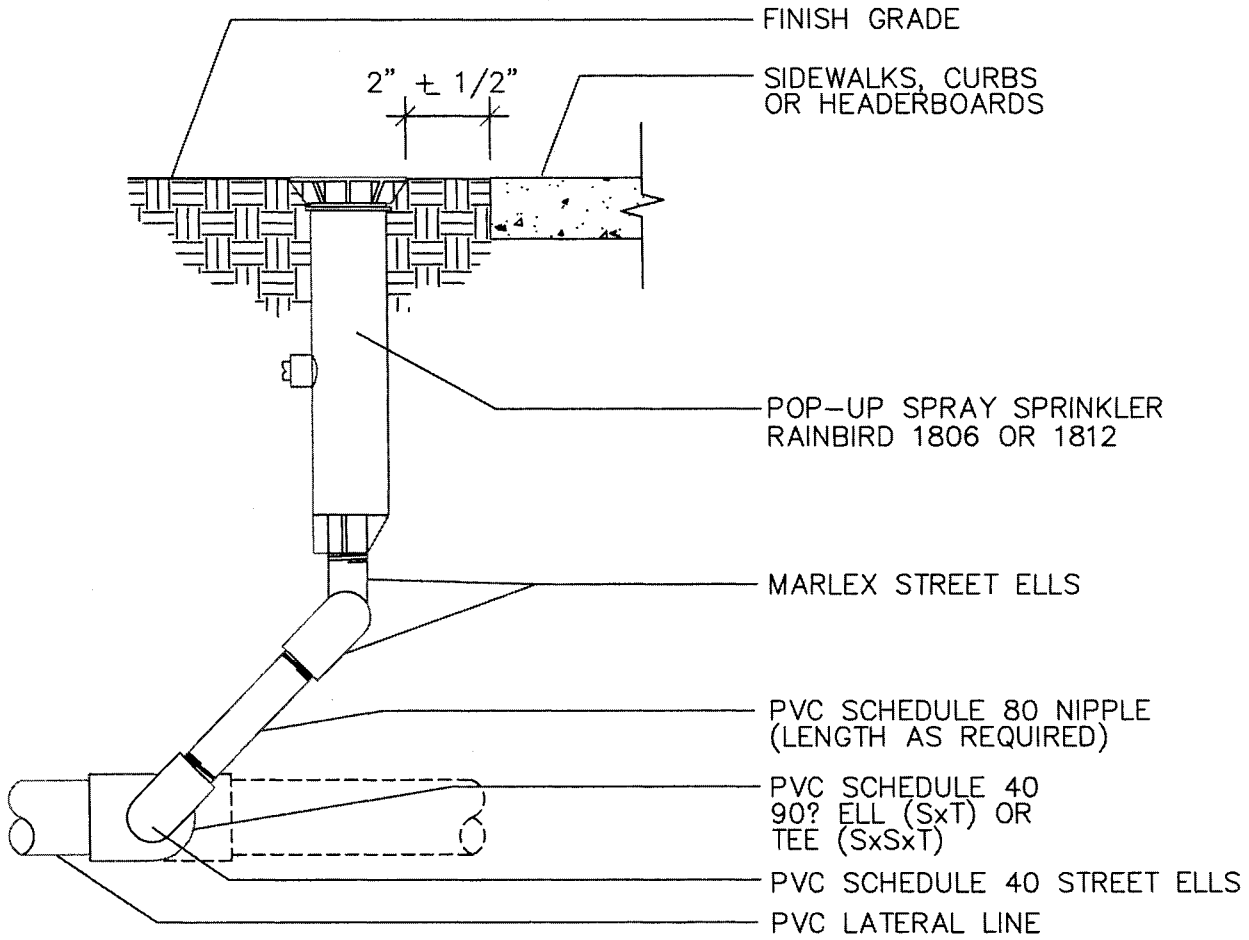
DATE

DRAWN BY: LDL  
 CHECKED BY:  
 LAST REVISED: 10/04

SCALE:  
 N.T.S.


SECTION:  
 IRRIGATION

DRAWING NO.: IRR-15



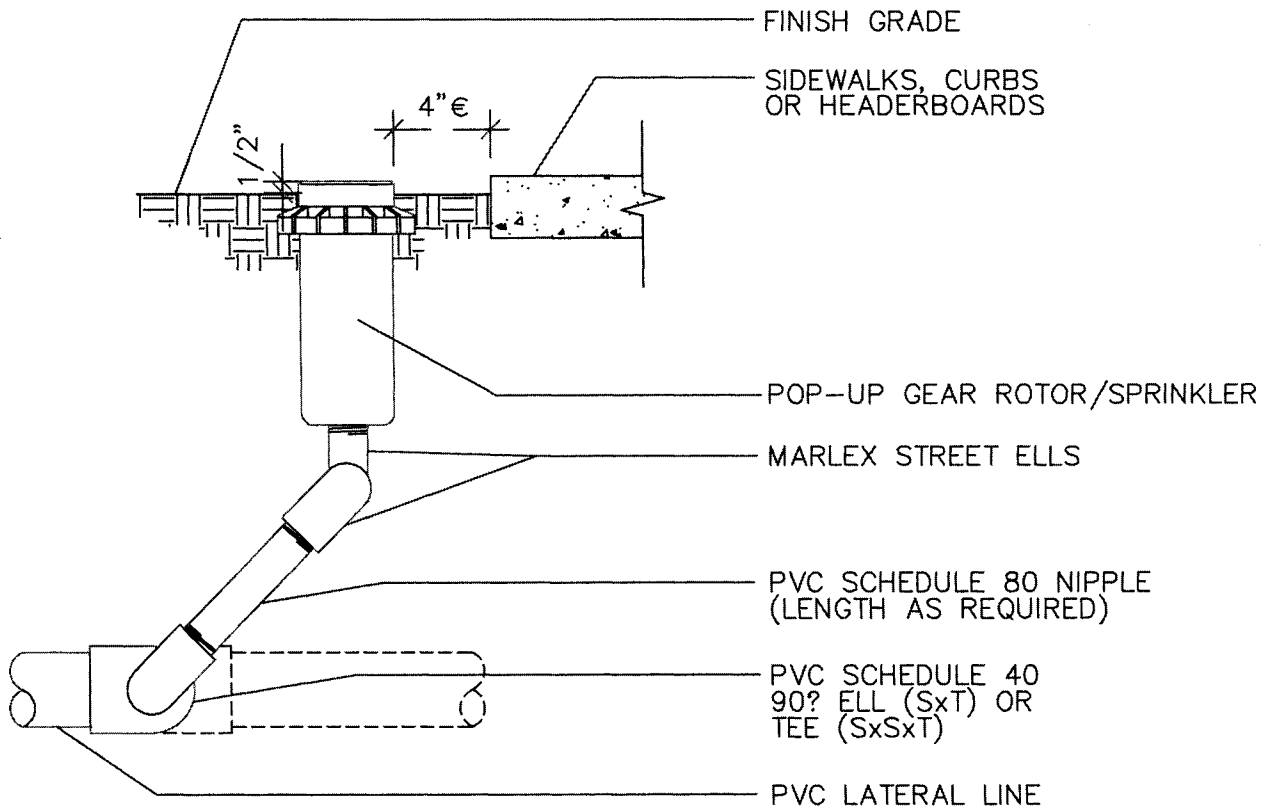
# POP-UP SPRAY SPRINKLER



APPROVED BY:  
  
 CITY ENGINEER

AUG 12 2005  
 DATE

DRAWN BY: LDL	SCALE:
CHECKED BY:	N.T.S.
LAST REVISED: 10/04	
SECTION: IRRIGATION	
DRAWING NO.: IRR-16	



# 1812 SPRAY SPRINKLER

DRAWN BY: LDL	SCALE:
CHECKED BY:	N.T.S.
LAST REVISED: 10/04	

SECTION:  
**IRRIGATION**

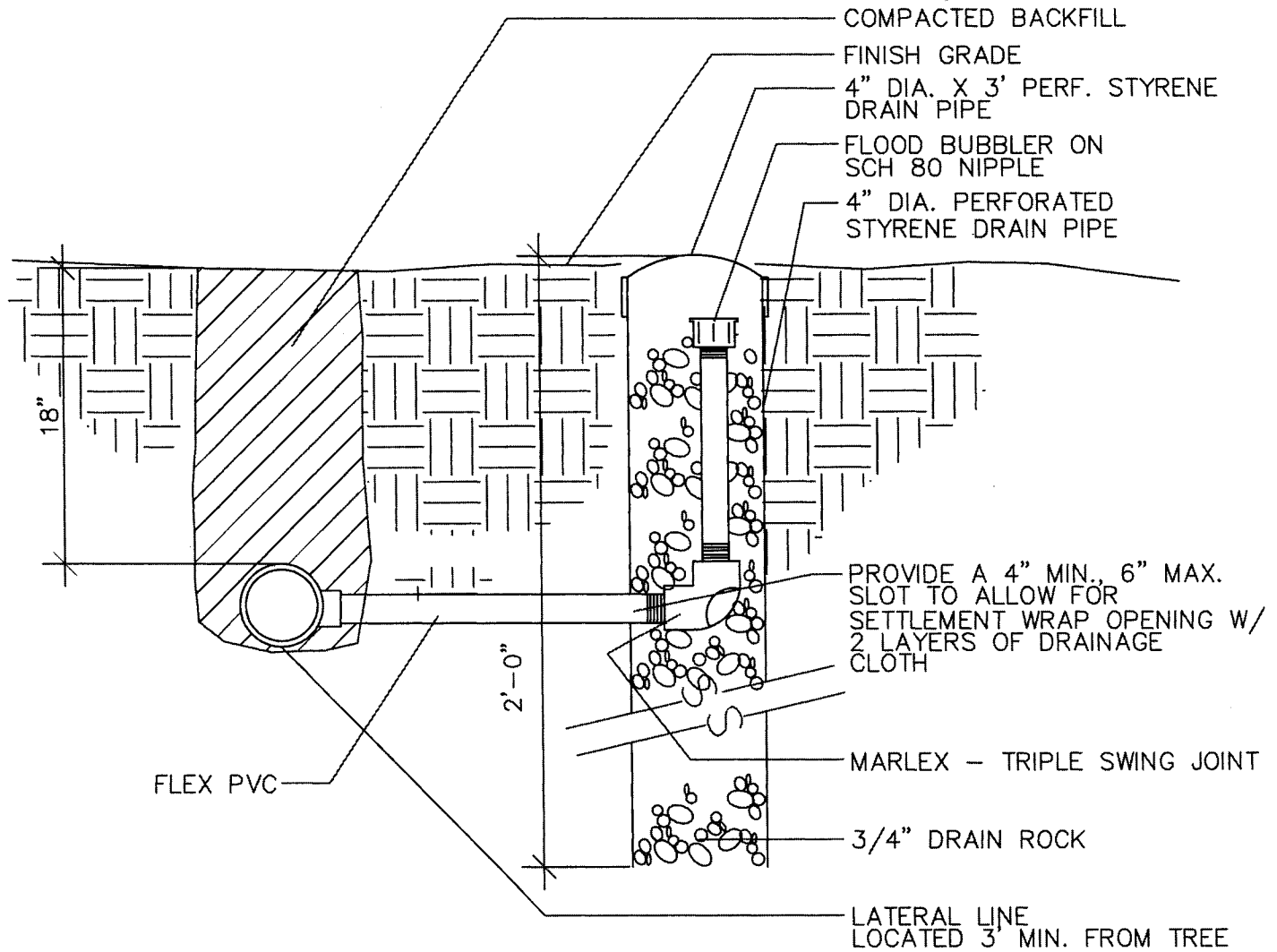
DRAWING NO.: **IRR-17**



APPROVED BY:

*[Signature]*  
CITY ENGINEER

AUG 12 2005  
DATE



# TREE BUBBLER WELL

DRAWN BY: LDL	SCALE:
CHECKED BY:	N.T.S.
LAST REVISED: 10/04	

SECTION:  
**IRRIGATION**

DRAWING NO.: **IRR-18**



APPROVED BY:

*Paul Smith*

CITY ENGINEER

AUG 12 2005  
 DATE