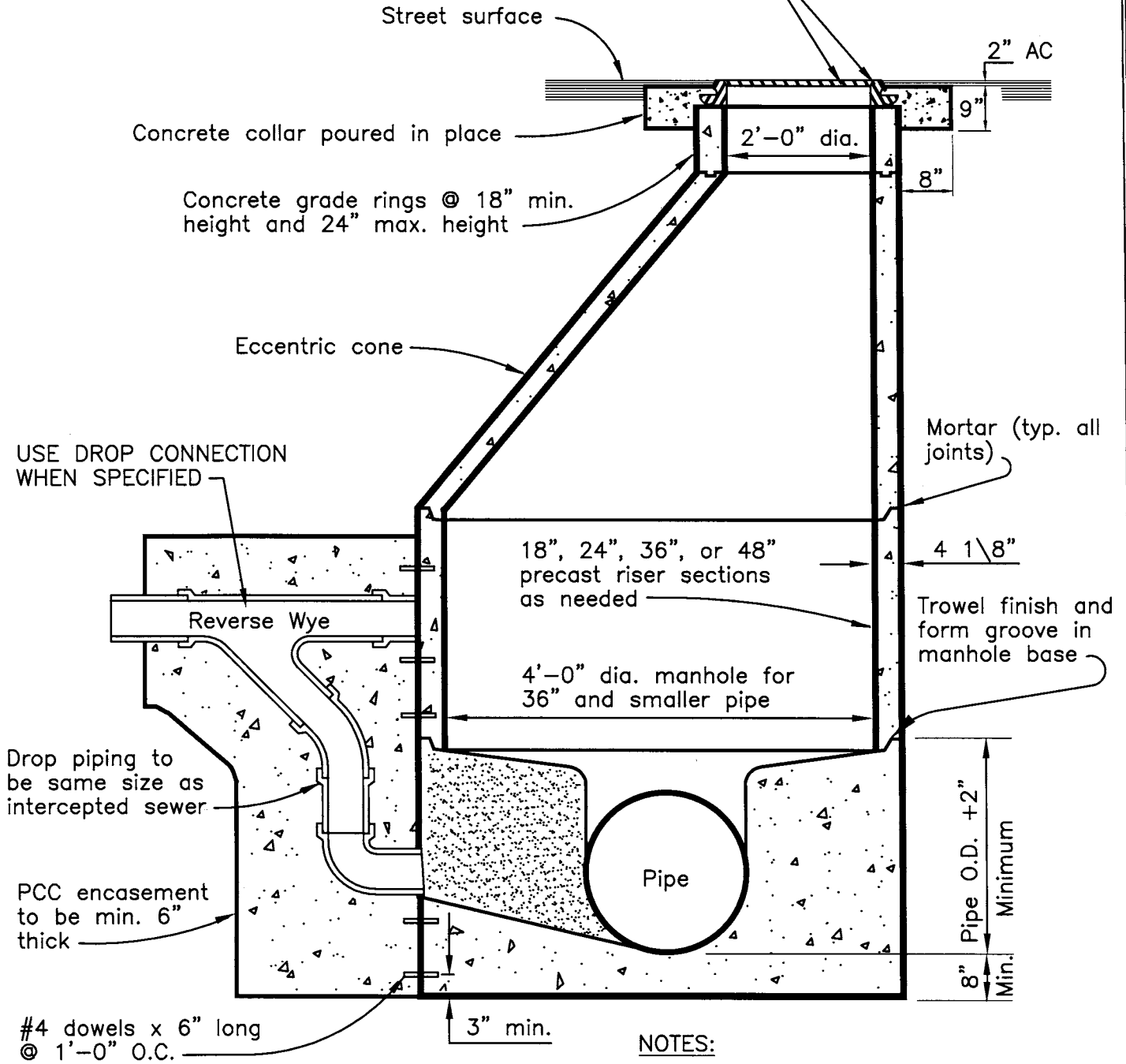


Install manhole frame and cover to finish grade before placing last lift of paving. See manhole frame and cover detail SEWER-4



**NOTES:**

1. Manhole steps are not required.
2. 350' max. spacing between manholes.

**STANDARD SANITARY SEWER MANHOLE**

DRAWN BY: LDL	SCALE:
CHECKED BY:	N.T.S.
LAST REVISED: 10/04	

SECTION:

**SEWER**

DRAWING NO.: **SWR-1**

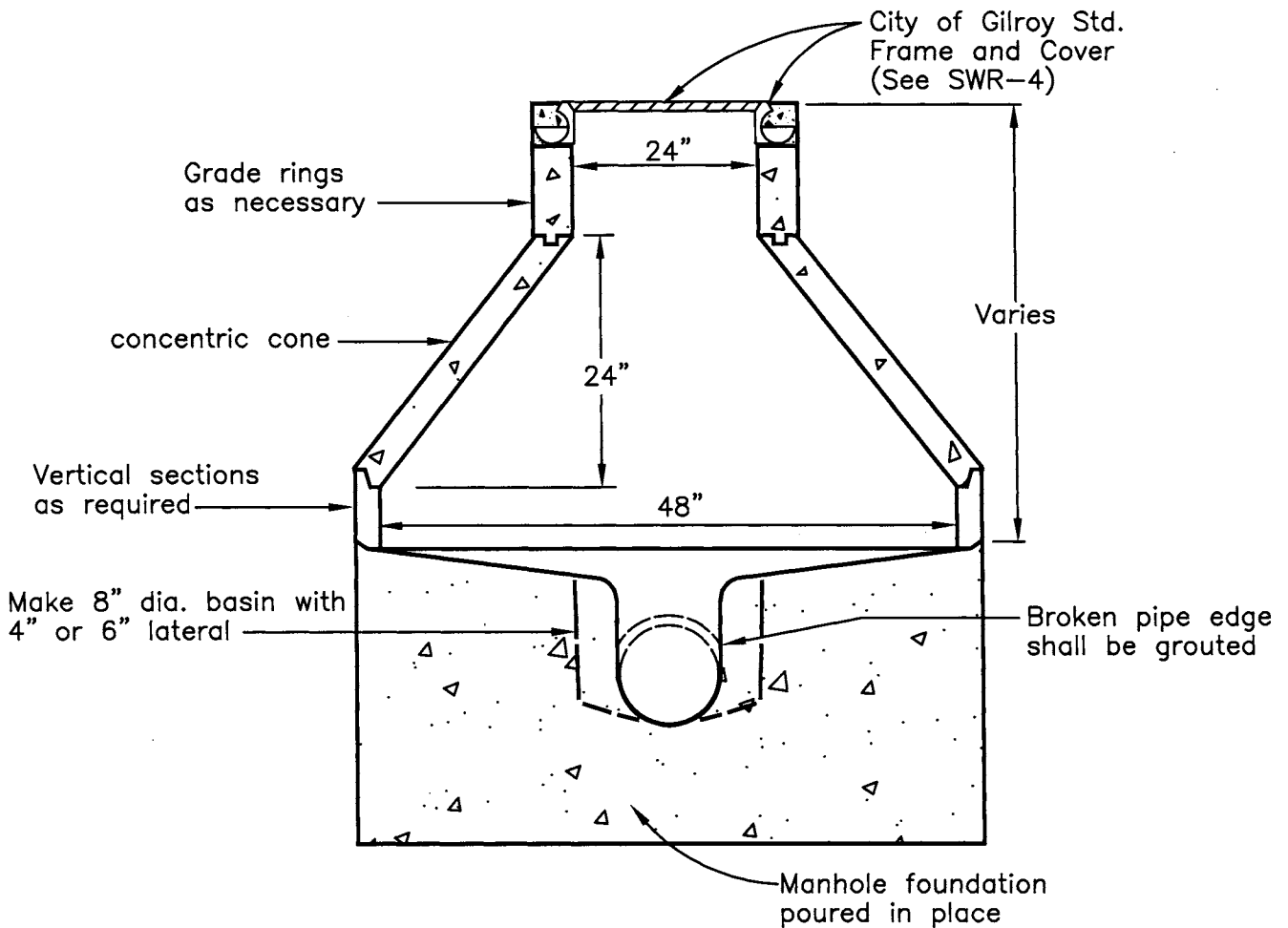


APPROVED BY:

*Robert L. ...*  
CITY ENGINEER

AUG 12 2005

DATE



# SEWER TEST MANHOLE

DRAWN BY: LDL	SCALE:
CHECKED BY:	N.T.S.
LAST REVISED: 10/04	

SECTION:  
**SEWER**

DRAWING NO.: **SWR-2**

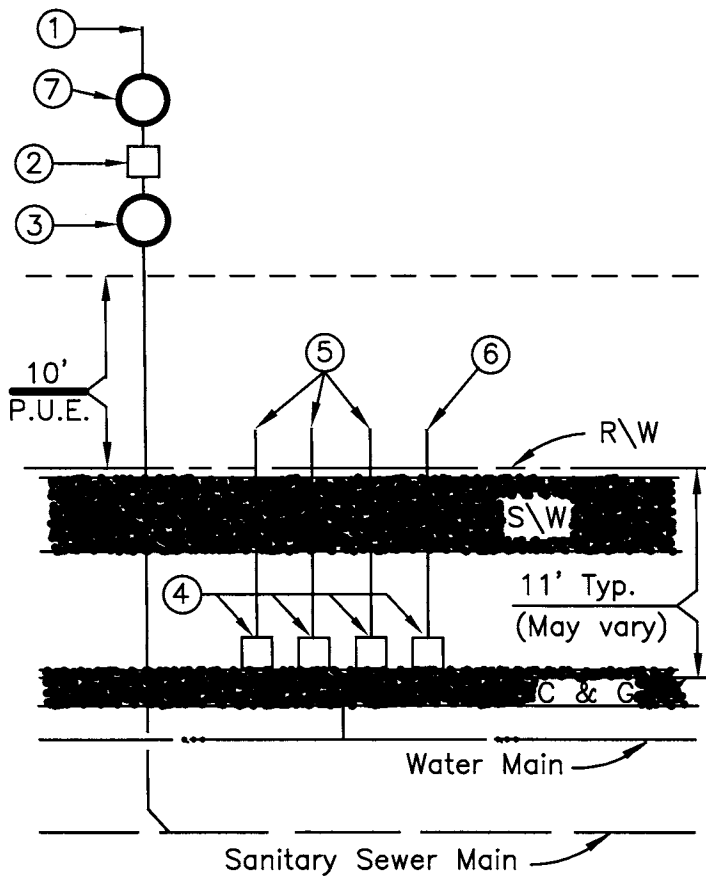


APPROVED BY:

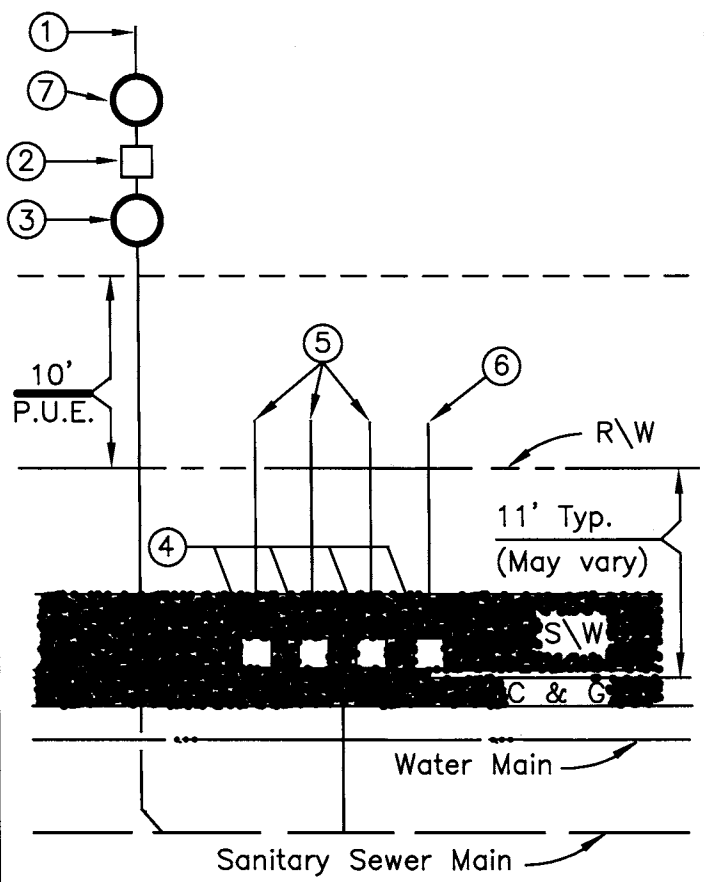
*Paul Sorenson*

CITY ENGINEER

AUG 12 2005  
DATE



SEPARATED SIDEWALK



MONOLITHIC SIDEWALK

LEGEND

1. Sanitary sewer lateral.
2. Sanitary sewer meter box – remote reading sewer meter when approved by City.
3. Sanitary sewer test manhole.
4. Water meter boxes (See water meter detail).
5. Tenant services.
6. Irrigation service.
7. Owner operated sewer meter when approved by City.
8. Water meter boxes shall not be placed in driveways.

**TEST MANHOLE AND METER LOCATION**



APPROVED BY:

*[Signature]*  
CITY ENGINEER

AUG 12 2005  
DATE

DRAWN BY: LDL  
CHECKED BY:  
LAST REVISED: 10/04

SCALE:  
N.T.S.

SECTION:  
**SEWER**

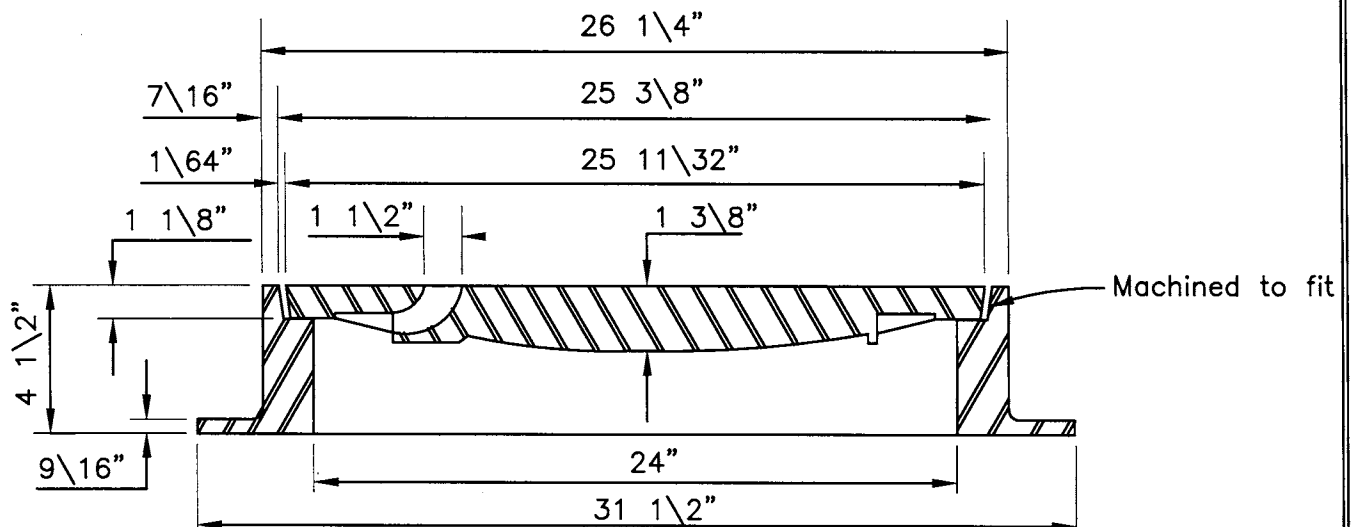
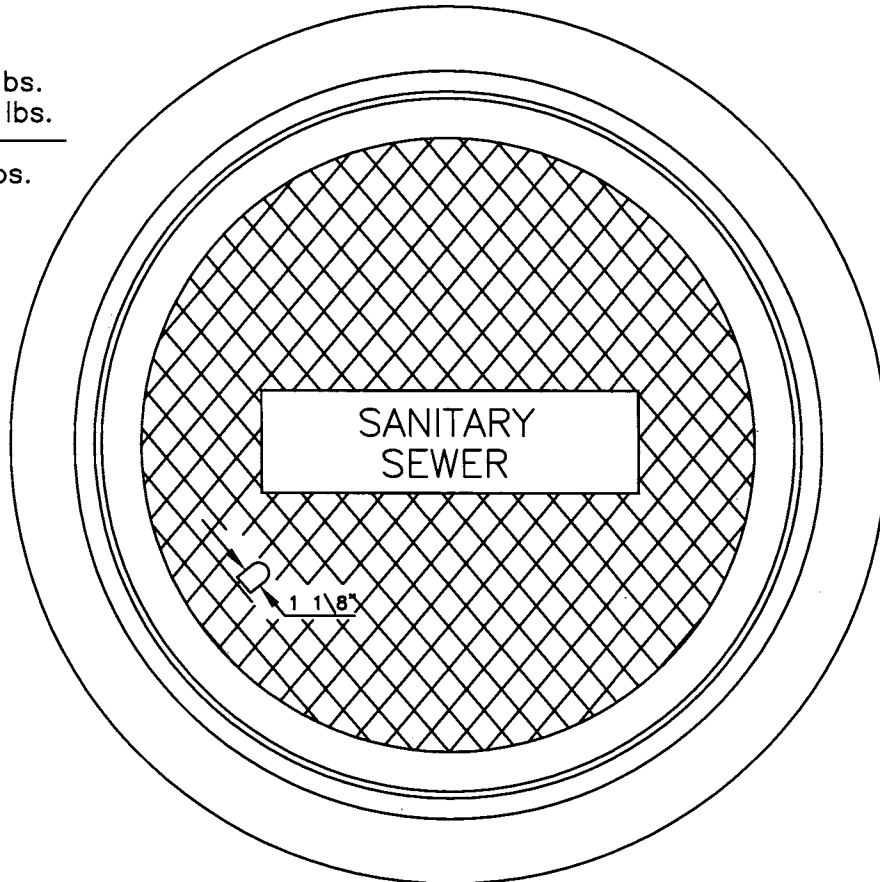
DRAWING NO.: **SWR-3**

Notes:

1. Frame and cover shall be Pheonix Iron Works #P-1090 or approved equal dipped in asphalt paint.
2. Specify "SANITARY SEWER" or "STORM SEWER" when placing order.
3. Set weight:  
 Cover 130 lbs.  
 Frame 138 lbs.  


---

 Total 268 lbs.



# MANHOLE FRAME AND COVER

DRAWN BY: LDL	SCALE:
CHECKED BY:	N.T.S.
LAST REVISED: 10/04	



APPROVED BY:

*[Signature]*

CITY ENGINEER

AUG 12 2005

DATE

SECTION:

**SEWER**

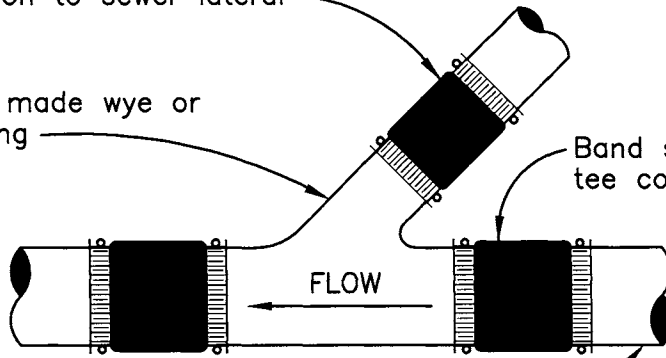
DRAWING NO.: **SWR-4**



Band seal coupling for wye or tee connection to sewer lateral

Factory made wye or tee fitting

Band seal coupling for wye or tee connection to sewer main



Sewer main to be machine cut for wye or tee connection

FACTORY MADE WYE OR TEE CONNECTION

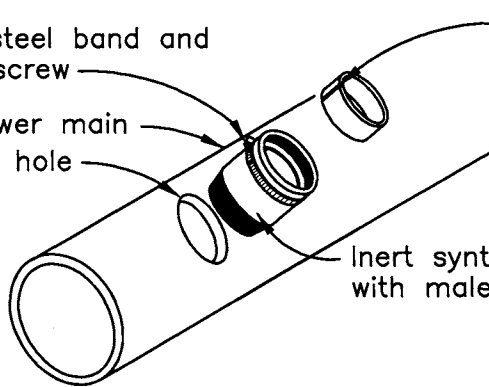
Stainless steel band and adjusting screw

Tapered inert plastic compression fitting with female guide key

Sewer main

Diamond drilled fitting hole

Inert synthetic rubber fitting with male guide key



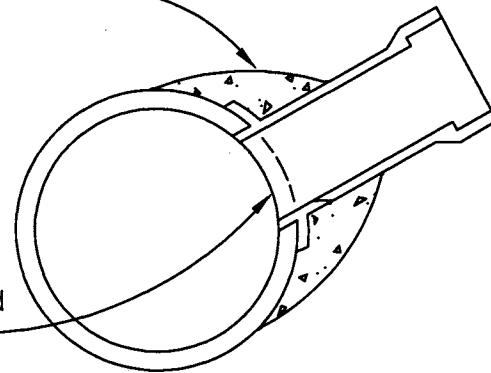
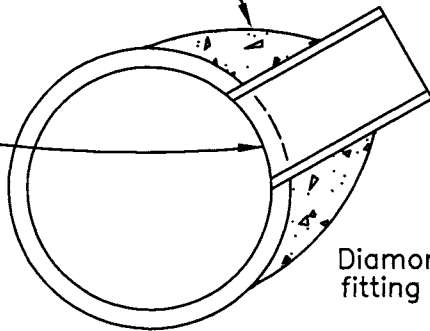
SYNTHETIC RUBBER WEDGE INSERT TEE  
(TAP-TITE OR APPROVED EQUAL)

Concrete collar all around

Concrete collar all around

Diamond drilled fitting hole

Diamond drilled fitting hole



RCP SEWER MAIN TAP

VCP SEWER MAIN TAP

**SIDE SEWER/LATERAL CONNECTIONS TO EXISTING MAINS**

DRAWN BY: LDL  
CHECKED BY:  
LAST REVISED: 10/04

SCALE:  
N.T.S.



APPROVED BY:

*Robert S. ...*

CITY ENGINEER

AUG 12 2005  
DATE

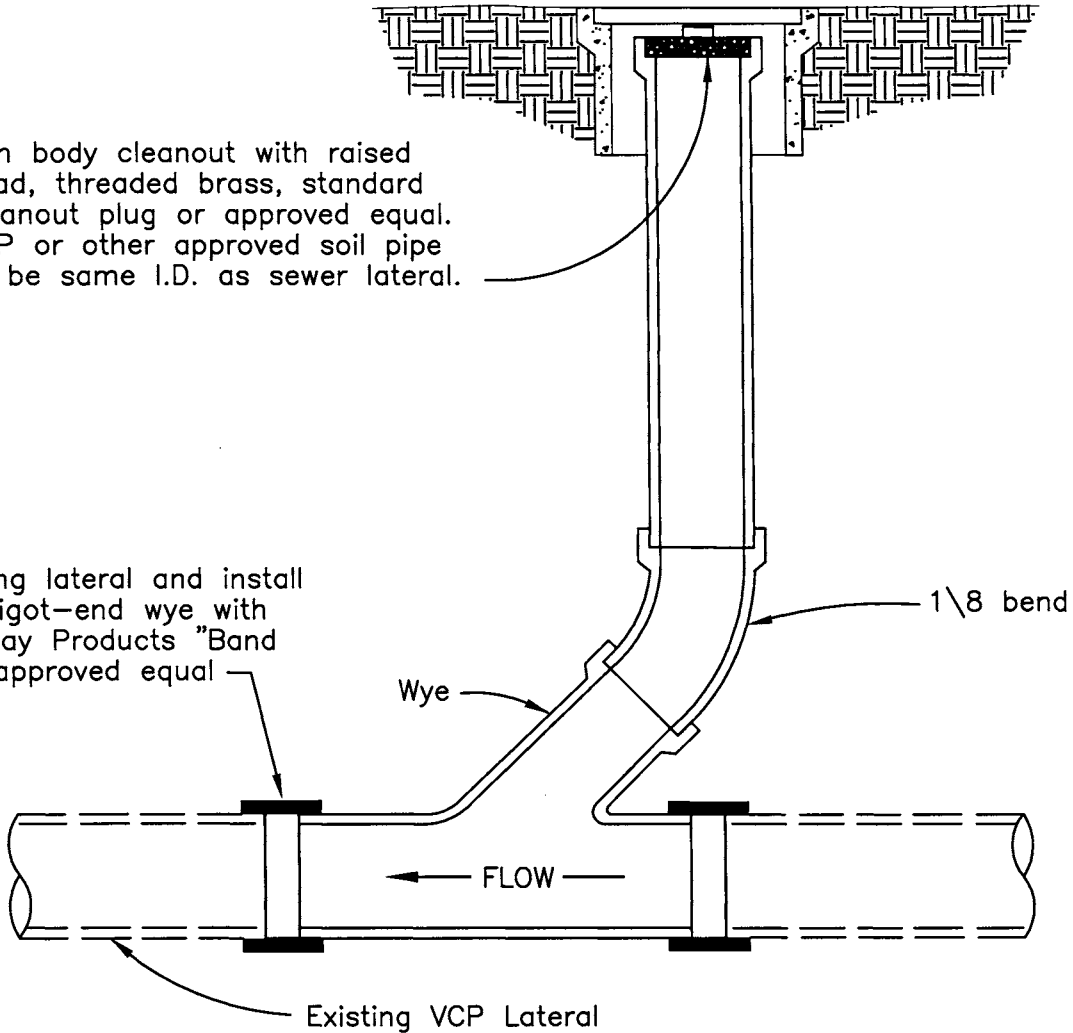
SECTION:

**SEWER**

DRAWING NO.: **SWR-6**

Iron body cleanout with raised head, threaded brass, standard cleanout plug or approved equal. VCP or other approved soil pipe to be same I.D. as sewer lateral.

Cut existing lateral and install double spigot-end wye with Mission Clay Products "Band Seal" or approved equal



**NOTES:**

1. Box shall be Christy #VI sewer cleanout box. Lid shall be Christy P213 for 4" risers; 4F36 box and C230 lid for 6" risers; G12 box for 8" riser; or approved equals.
2. Backfill for cleanout shall be compacted by jetting. Tamping will not be permitted.
3. Cleanout maintenance and replacement of defective or broken parts shall be at the property owner's expense.
4. Locate Cleanout conveniently within City Right of Way.

**SEWER LATERAL CLEANOUT FOR EXISTING LATERALS**

DRAWN BY: LDL	SCALE:
CHECKED BY:	N.T.S.
LAST REVISED: 10/04	



APPROVED BY:

*[Signature]*

CITY ENGINEER

AUG 12 2005  
DATE

SECTION:

**SEWER**

DRAWING NO.: **SWR-7**